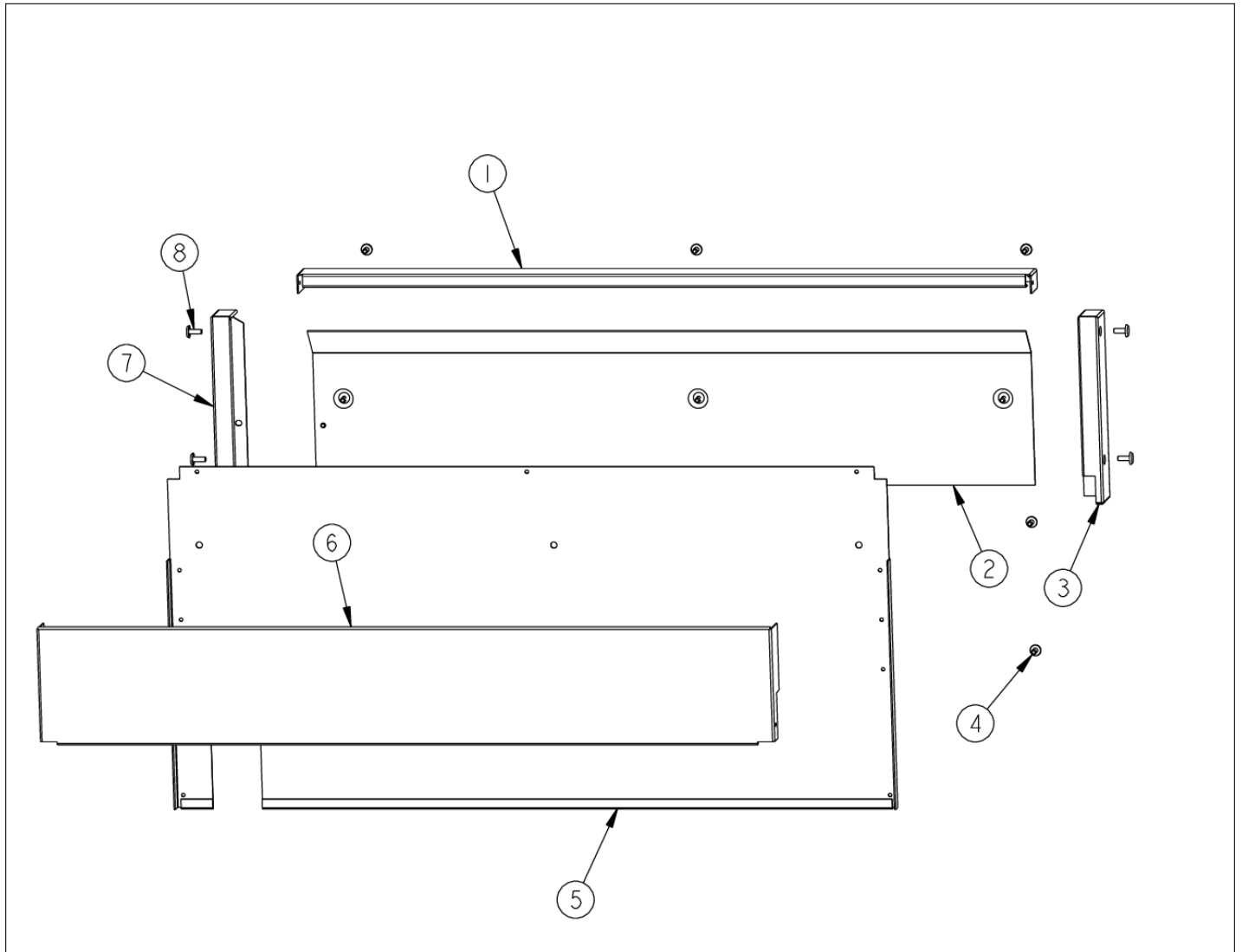


VDSC307AFTER12-08-06

| | |
|------------------------------|----|
| BACKGUARD ASSEMBLY | 1 |
| BURNER BOX INTERIOR | 2 |
| CONTROL AREA | 3 |
| DOOR ASSEMBLY | 4 |
| IGNITER WIRE KIT | 5 |
| LOWER UNIT AREA | 6 |
| MAIN OVEN CAVITY | 7 |
| PE070783 | 8 |
| PE070811 | 9 |
| REAR UNIT AREA | 10 |
| SINGLE WIRING | 11 |
| SURFACE COOKING AREA | 12 |
| UPPER OVEN CAVITY | 13 |
| WIRING HARNESSSES 1 | 14 |
| Appendix A:Pages Index | A |
| Appendix B:Parts Index | B |

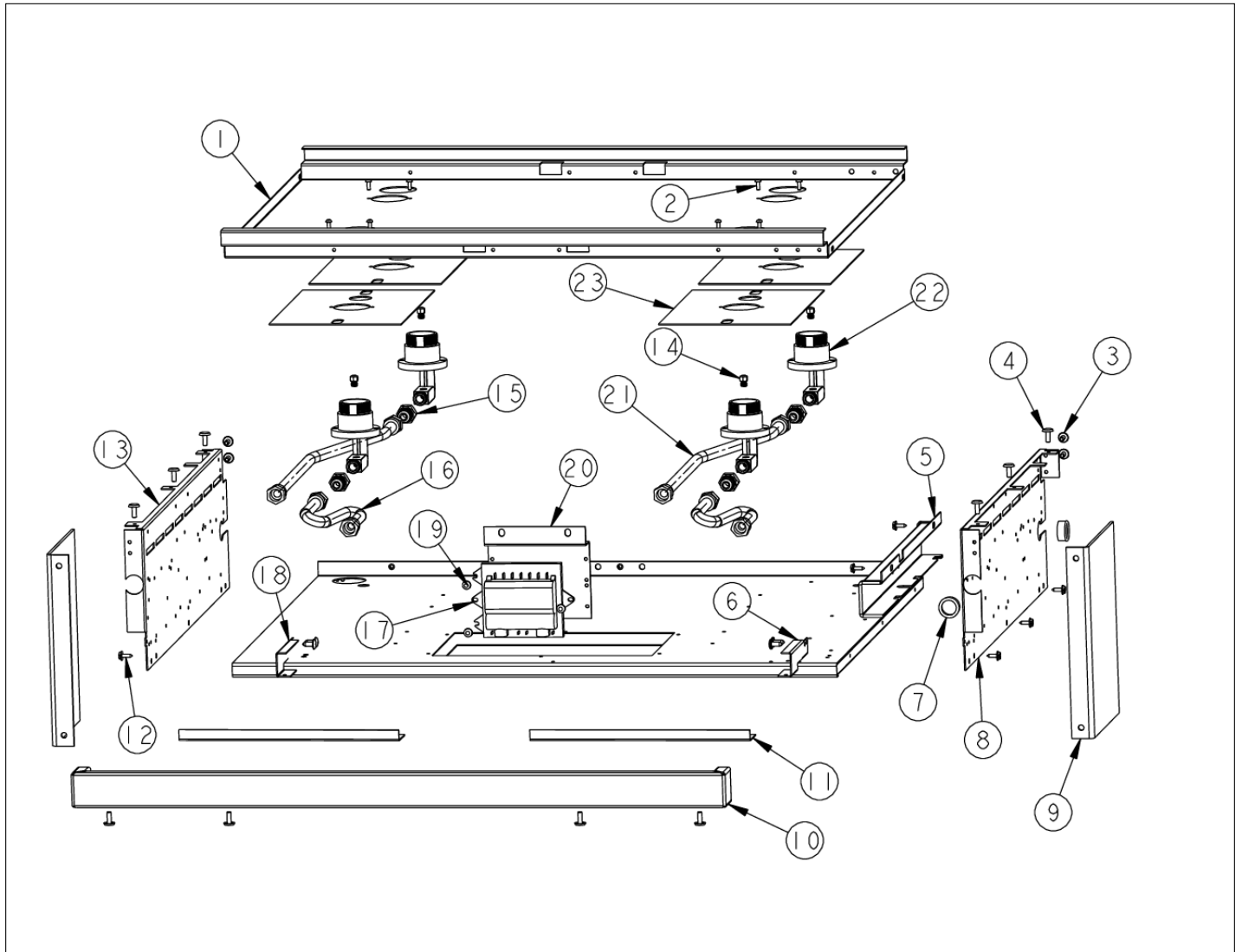
BACKGUARD ASSEMBLY





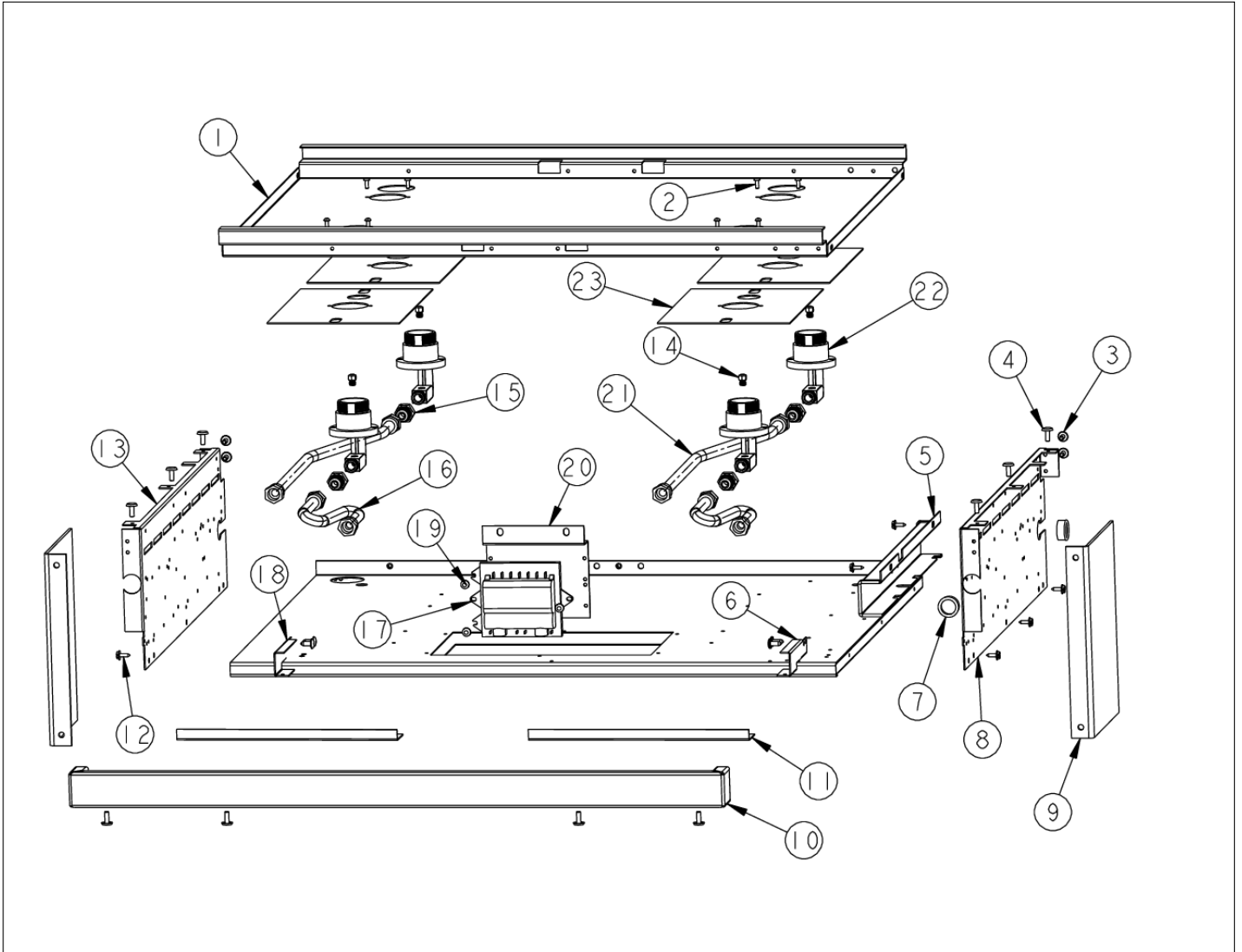
| Item | Part No. | Name | Qty | Uom | NOTES |
|------|-----------|--------------------------------------|-----|-----|--|
| 1 | B2001782 | BACKGUARD TOP (VGRT30) | 1 | EA | |
| 2 | B20010164 | VENT BAFFLE | 1 | EA | NO LONGER AVAILABLE |
| 3 | B3006728 | SEALED VDSC BACKGUARD ENDCAP (RH) | 1 | EA | NO LONGER AVAILABLE |
| 4 | PD020002 | 10 X 1/2 PH TR HD SMS | 1 | EA | |
| 5 | A2001799 | BACKGUARD BACK (6") VGRT30 | 1 | EA | |
| 6 | B2006727 | SEALED VDSC BACKGUARD FRONT | 1 | EA | |
| 7 | B3006729 | SEALED VDSC BACKGUARD ENDCAP (LH) | 1 | EA | Not available online / Call for pricing and availability |
| 8 | PD020033 | SRW-NO.10-24X1/2T(23)PH.WFR HD (NKL) | 1 | EA | |
| NI | G3206730 | SEALED VDSC6"" BACKGUARD ASSY | 1 | EA | |

BURNER BOX INTERIOR





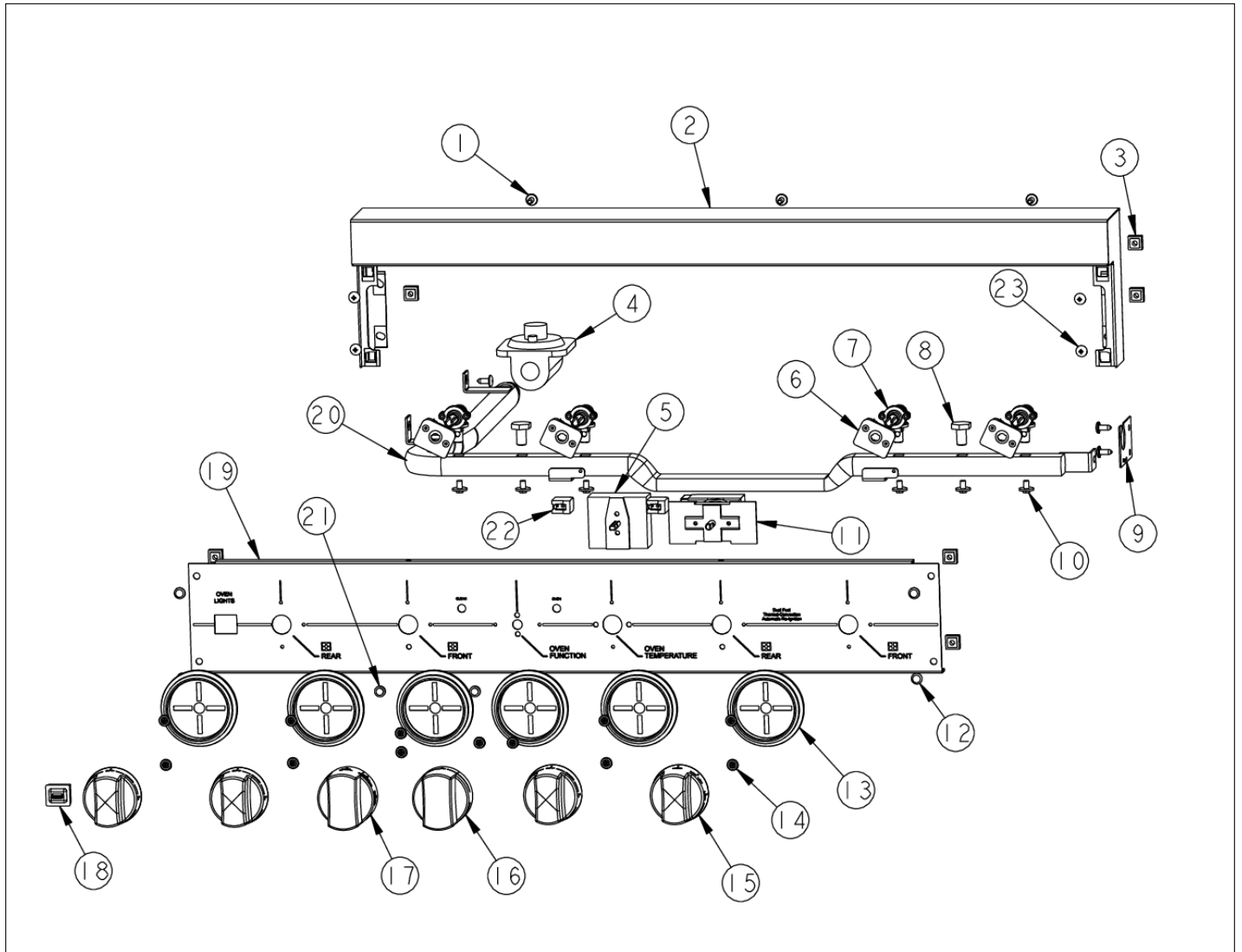
| Item | Part No. | Name | Qty | Uom | NOTES |
|-----------|--------------|---------------------------------------|-----|-----|---|
| 1 | A2007852 | BURNER SUPPORTS | 1 | EA | |
| 2 | PD020076 | 6-32 X 3/8" PHILL PAN MS | 1 | EA | |
| 3 | PD020002 | 10 X 1/2 PH TR HD SMS | 1 | EA | |
| 4 | PD020033 | SRW-NO.10-24X1/2T(23)PH.WFR HD (NKL) | 1 | EA | |
| 5 | A2000210 | WIRE CHANNEL | 1 | EA | NO LONGER AVAILABLE, Not available online / Call for pricing and availability |
| 6 | A20011467 | FALSE DRIP TRAY HANDLE BRKT. RH | 1 | EA | NO LONGER AVAILABLE |
| 7 | PD040005 | SNAP BUSHING, 7/8" | 1 | EA | |
| 8 | A2006747 | Burner Box Side - RH | 1 | EA | |
| 9 | J20002593 | OVEN SIDE HEAT SINK | 1 | EA | Not available online / Call for pricing and availability |
| 10 | B30011468 | FALSE DRIP TRAY HANLDE (WELDED) - 30" | 1 | EA | NO LONGER AVAILABLE |
| 10 | G93011458PVD | DRIP TRAY HANDLE ASSY 30" PVD | 1 | EA | Not available online / Call for pricing and availability |
| 11 | A20013896 | FALSE HANDLE SHIELD | 1 | EA | |
| 12 | PD020003 | #10 X 1/2 T(A) HEX WASHER HEAD | 1 | EA | |
| 13 | A2006748 | Burner Box Side - LH | 1 | EA | |
| 14 | PB040194 | Orifice - Nat. | 1 | EA | |
| Not Shown | NOTE | (Before 12/18/07) | | EA | |
| 14 | 001396-040 | 15K NG ORIFICE | 1 | EA | |
| Not Shown | NOTE | (After 12/18/07) | | EA | |
| 14 | PB040217 | L.P. ORIFICE | 1 | EA | |
| Not Shown | NOTE | (Before 12/18/07) | | EA | |
| 14 | 001396-044 | 13.5K LP ORIFICE | 1 | EA | |
| Not Shown | NOTE | (After 12/18/07) | | EA | |



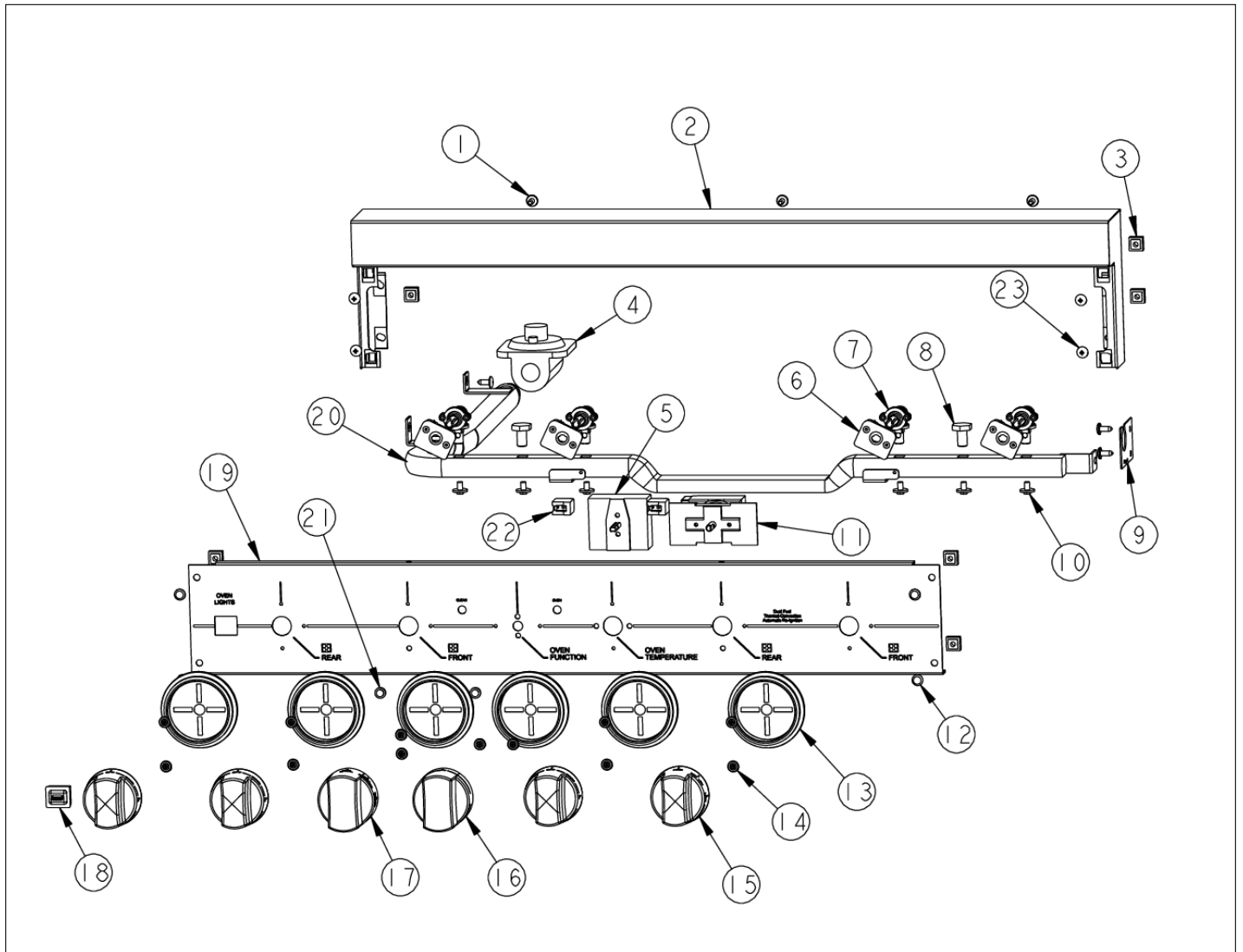


| Item | Part No. | Name | Qty | Uom | NOTES |
|--|------------|---|-----|-----|--|
| 15 | PA050086 | 5/8" MALE FLARE FITTING | 1 | EA | Not available online / Call for pricing and availability |
| 16 | PB020192 | 10" FLEX TUBING W/CONNECTORS | 1 | EA | |
| 17 | PA020047 | INVENSYS 0+4 RE-IGNITION SPARK MODULE | 1 | EA | |
| 18 | A20011466 | FALSE DRIP TRAY HANDLE BRKT. LH | 1 | EA | NO LONGER AVAILABLE |
| 19 | PD020004 | 10X3/8PH.HD.TYPE 25 REPL PD040125 | 1 | EA | |
| 20 | A2007855 | Spark Module Bracket | 1 | EA | |
| 21 | PB020193 | 16" FLEX TUBING W/CONNECTORS | 1 | EA | |
| 22 | PA080075 | Order 072542-000 Kit, see 2019-02P parts bulletin | 1 | EA | See Parts Bulletin 2019-02P |
| <p>Comments for Part Num. PA080075</p> <p>gboltz@VikingRange.com on Jun 3, 2019</p> <p>See Parts Bulletin 2019-02P</p> | | | | | |
| Not Shown | NOTE | (Before 12/18/07) | | EA | |
| 22 | 001394-042 | 15000 BTU NAT JETHOLDER | 1 | EA | |
| Not Shown | NOTE | (After 12/18/07) | | EA | |
| 22 | 001394-043 | 13500 BTU LP JETHOLDER | 1 | EA | |
| Not Shown | NOTE | (After 12/18/07) | | EA | |
| 23 | A1006374 | BODY BURNER PLATE | 1 | EA | Not available online / Call for pricing and availability |

CONTROL AREA



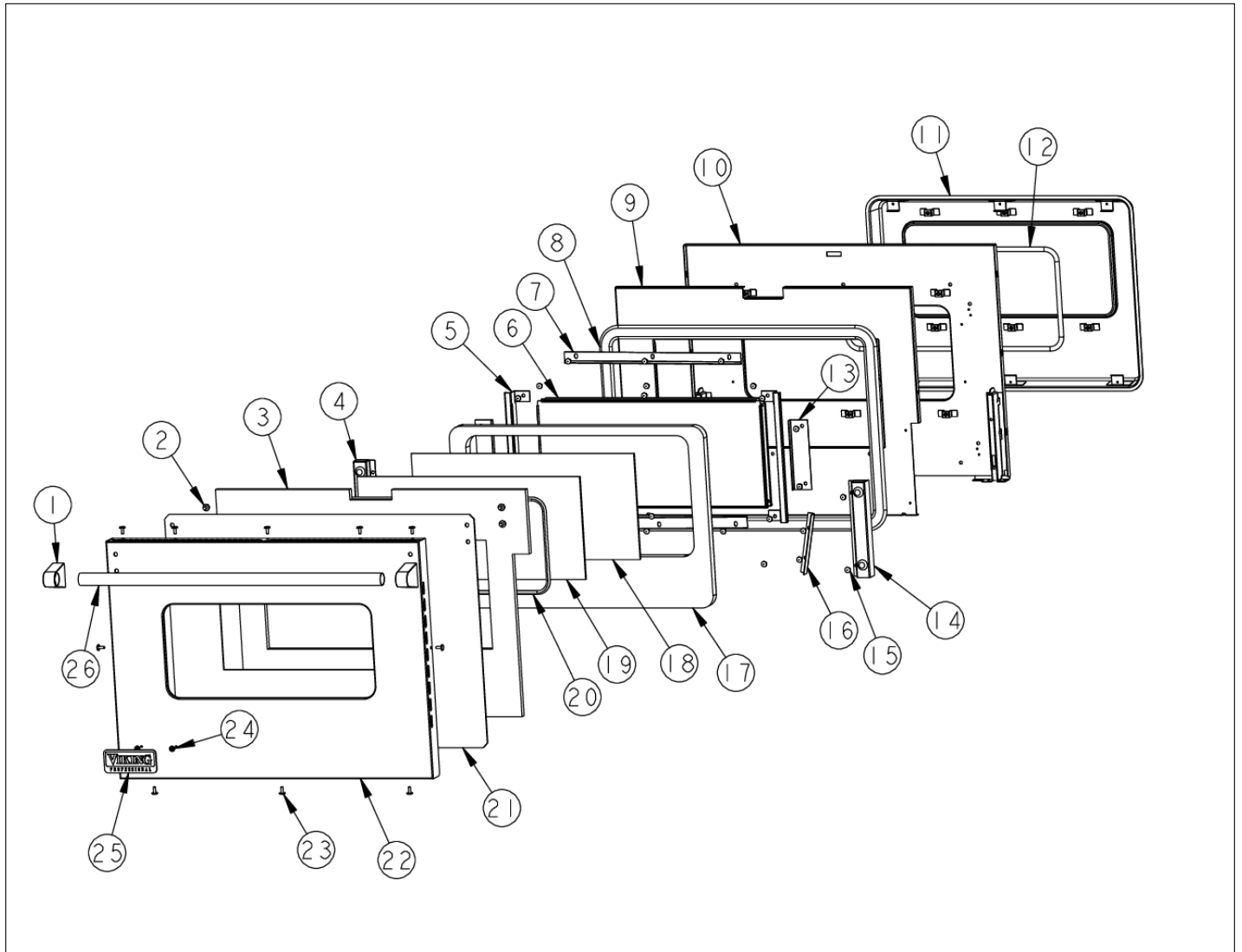
| Item | Part No. | Name | Qty | Uom | NOTES |
|------|------------|---|-----|-----|---|
| 1 | PD020002 | 10 X 1/2 PH TR HD SMS | 1 | EA | |
| 2 | G3006766 | SEALED LANDING LEDGE ASSY | 1 | EA | |
| 3 | PD030005 | SELF RETAINING NUT | 1 | EA | |
| 4 | PA070003 | PRESSURE REGULATOR (NAT.) | 1 | EA | |
| 5 | PJ030001 | SELECTOR SWITCH (8-POSITION) VDSC | 1 | EA | |
| 6 | PA020045 | Spark Ignition Switch | 1 | EA | |
| 7 | 003517-000 | PA010158 VALVE AND BOLT KIT | 1 | EA | |
| 8 | PA010012 | ROPER PLUG | 1 | EA | |
| 9 | A1001138 | MANIFOLD BRKT | 1 | EA | NO LONGER AVAILABLE, Not available online / Call for pricing and availability |
| 10 | PD010012 | VALVE BOLT 1/4-20 UNC-2B 5/16" M.S. | 1 | EA | |
| 11 | PS500033 | SUB TO PS500033 - SELF CLEAN THERMOSTAT | 1 | EA | |
| 12 | PD020032 | SRW-8(A)X3/8"PH.WFR HD 7/16DIA*NICL | 1 | EA | |
| 13 | 050172-000 | KNOB BEZEL | 1 | EA | |
| 13 | PB010209 | Bezel - BR | 1 | EA | |
| 14 | PD020046 | NO.8 X 1/2 SCREW | 1 | EA | |
| 15 | PB010206 | TOP BURNER KNOB BK | 1 | EA | |
| 15 | PB010207 | TOP BURNER KNOB WH | 1 | EA | Not available online / Call for pricing and availability |
| 16 | PB010129 | THERMOSTAT KNOB *BK* (VDSC) | 1 | EA | |
| 16 | PB010130 | THERMOSTAT KNOB *WH* (VDSC) | 1 | EA | |
| 17 | PB010230 | OVEN SELECT. KNOB*BK* VDSC307 | 1 | EA | |
| 17 | PB010231 | OVEN SELECT. KNOB*WH* VDSC307 | 1 | EA | |
| 18 | PE050016 | OVEN LIGHT SWITCH - *BK* (WES-GAR) | 1 | EA | |
| 18 | PE050017 | OVEN LIGHT SWITCH - *WH* (WES-GAR) | 1 | EA | |





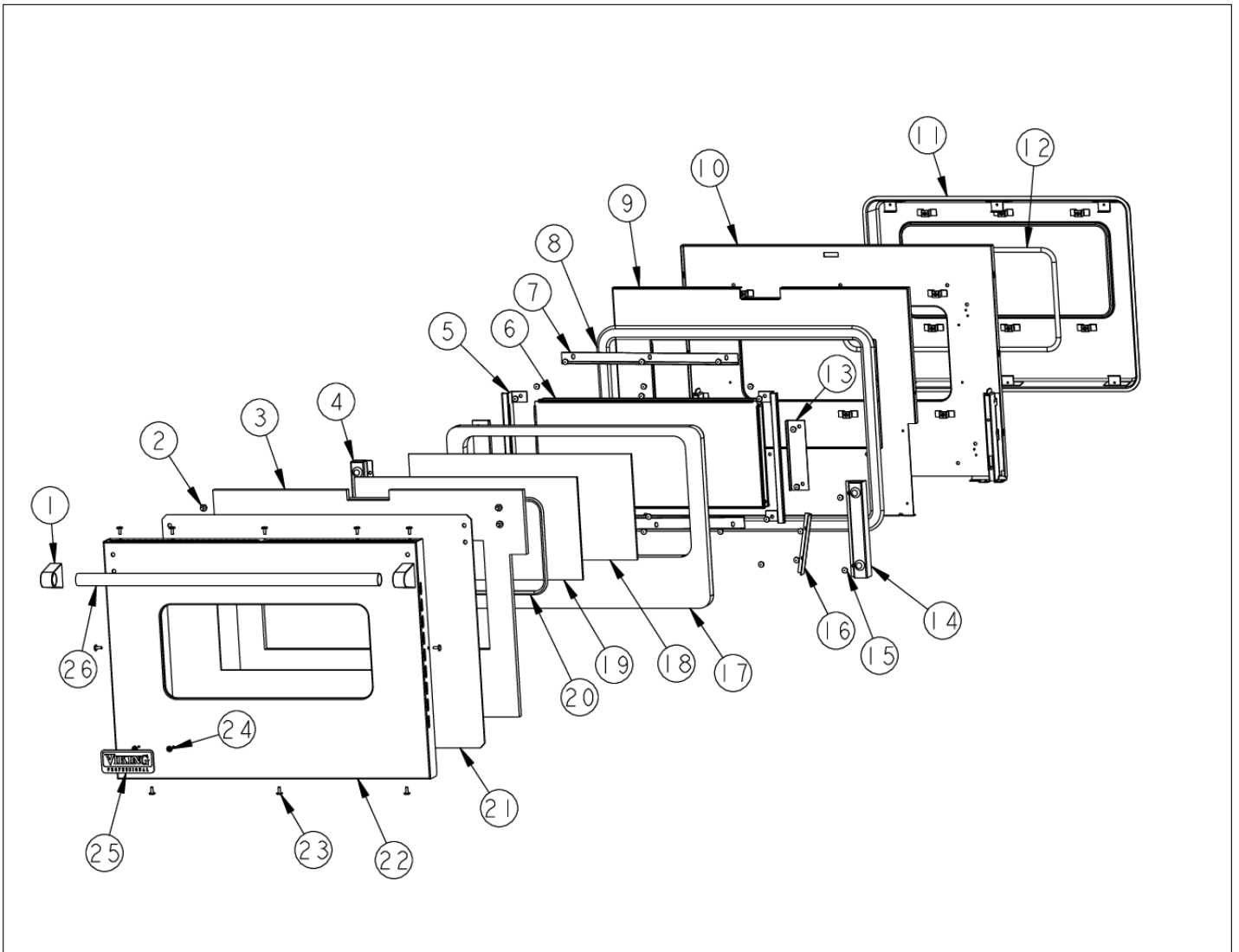
| Item | Part No. | Name | Qty | Uom | NOTES |
|--|------------|-----------------------------------|-----|-----|-------|
| 19 | B92010453 | CONTROL PANEL -VDSC30" | 1 | EA | |
| <p>Comments for Part Num. B92010453</p> <p>JREXEC02@AOL.COM on Jul 16, 2015 what is the price?</p> | | | | | |
| 20 | 002156-000 | 30" UNIVERSAL MANIFOLD | 1 | EA | |
| 21 | PE050023 | OVEN IND. LIGHT (LENS & BEZEL) | 1 | EA | |
| 22 | PE050024 | OVEN IND. LIGHT (LIGHT HOUSING) | 1 | EA | |
| <p>Comments for Part Num. PE050024</p> <p>haarnink@vikingrange.com on Jan 14, 2019 please note that the indicator light is now part 043135-000 but needs the Jumper harness 051443-000. and second option there are units in the field with a 230V indicator light part number 036566-000.</p> <p>please check this for all "E" module ranges/Tops</p> | | | | | |
| 23 | PD010003 | 10-24 X 1/2 PH.TR.HD.SERD.M.S. | 1 | EA | |

DOOR ASSEMBLY



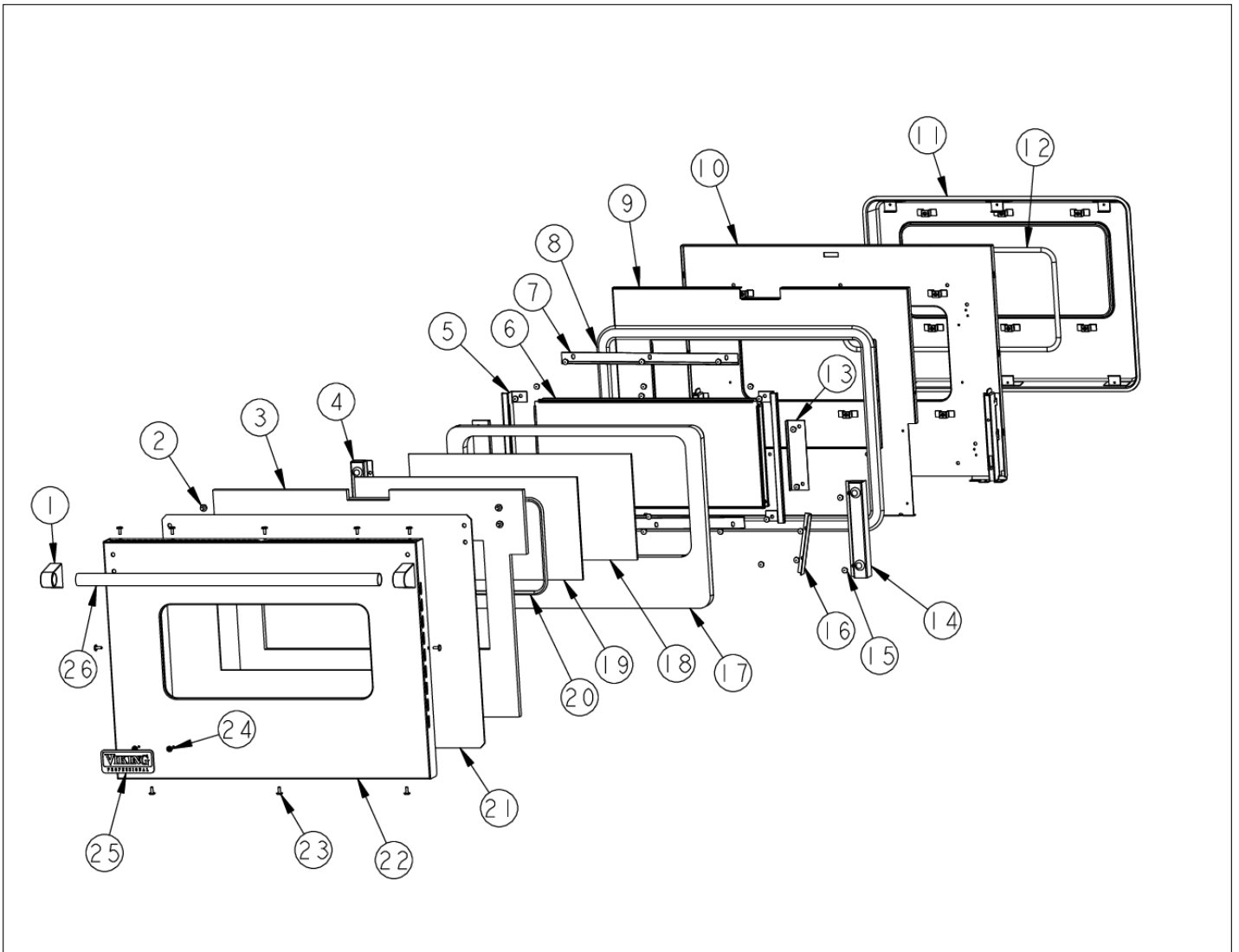


| Item | Part No. | Name | Qty | Uom | NOTES |
|------|-------------|--|-----|-----|---|
| 1 | 000268-000 | HANDLE ENDCAP | | EA | |
| 1 | PE030001PVD | END CAP DOOR HANDLE *BR | | EA | |
| 2 | PD010019 | BLT-1/4-20X3/8"HEX WASHER SERATED | | EA | |
| 3 | PB070145 | SUPERWOOL 5" X 24" X 3' | | EA | |
| 4 | A2002499 | HINGE POCKET COVER LH | | EA | |
| 5 | A2002367 | DOOR GLASS BRKT | | EA | |
| 6 | PE060064 | WINDOW PACK, SELF CLEANING OVEN 30" | | EA | |
| 7 | A2007943 | GLASSPACK BRACKET, LARGE | | EA | |
| 8 | 000623-000 | DOOR GASKET(3/8"DIA.) (VDSC) | | EA | |
| 9 | A2002169 | DOOR INSULATION RETAINER (VDSC30) | | EA | |
| 10 | G9102747 | DR LINER ASY(VDSC30/48)REP H9102173 | | EA | |
| 11 | G9102745 | DR PG ASSY VDSC30/48" RE H9102175 (Before 12/20/2012) | | EA | |
| 12 | 000594-000 | BLACK FIBERGLASS ROPE 3/8 | | EA | |
| 13 | A2002189 | DOOR GLASS STANDOFF (VDSC) | | EA | |
| 14 | A2002498 | HINGE POCKET COVER RH | | EA | |
| 15 | PD020002 | 10 X 1/2 PH TR HD SMS | | EA | |
| 16 | A2002497 | DOOR GUIDE ANGLE VDSC | | EA | |
| 17 | PB070076 | WOOL INSULATION 1" X 21" X 3' | | EA | |
| 18 | PE060039 | GLASS-HEAT TREATED (HB2) VDSC | | EA | |
| 19 | PE060030 | OUTER DOOR GLASS | | EA | |
| 20 | PE060031 | J-MOLD (LARGE WINDOW) | | EA | |
| 20 | PE060045 | J-MOLD (LARGE WINDOW) *BR* | | EA | |
| 21 | J1002594 | OVEN DR HEAT SINK (VDSC30) | | EA | |
| 22 | B2002188 | O/S DOOR PANEL *SS* (VDSC30) | | EA | |
| 22 | C9002188AL | O/S DOOR PANEL-*AL* (VDSC30) | | EA | NO LONGER AVAILABLE, Not available online / Call for pricing and availability |



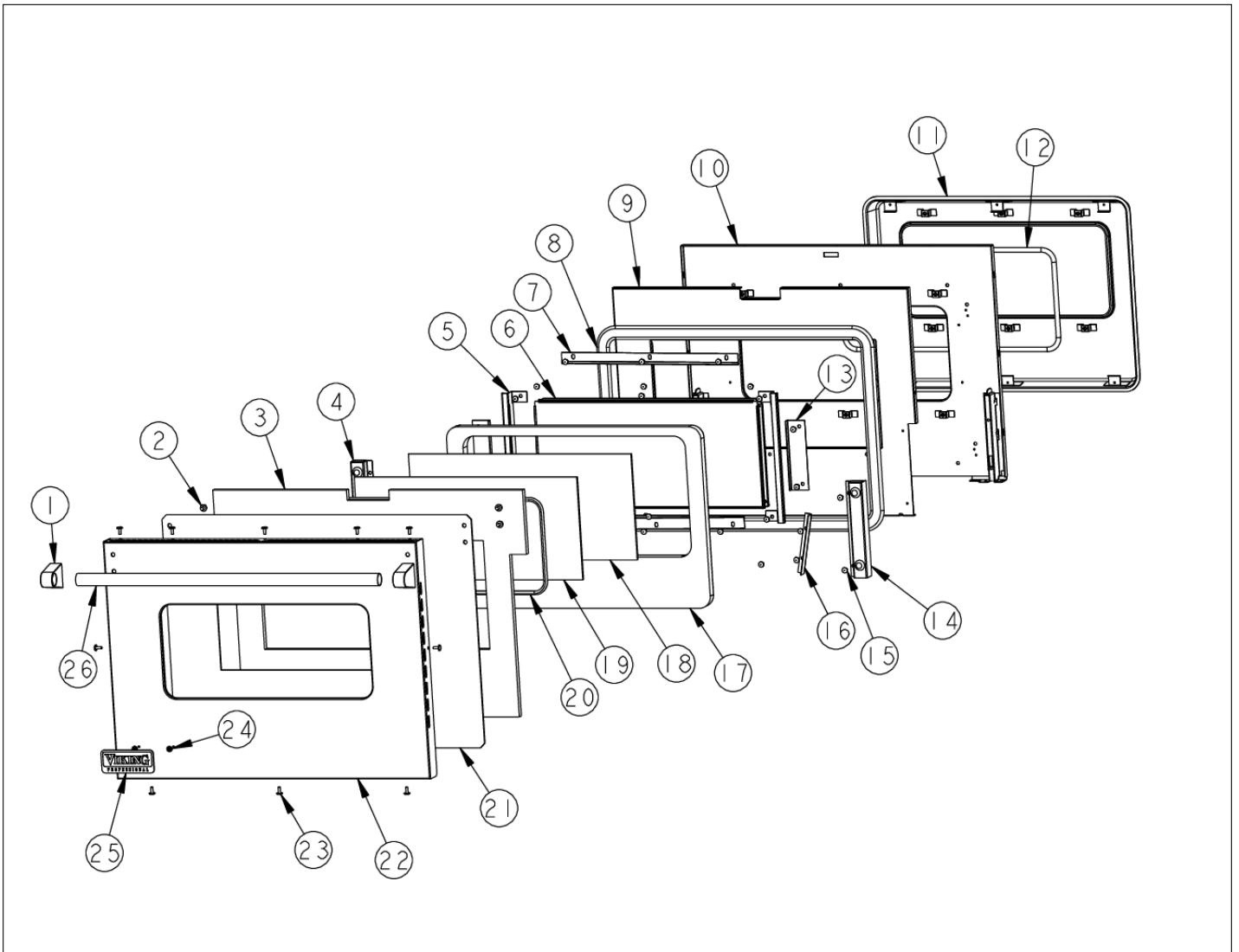


| Item | Part No. | Name | Qty | Uom | NOTES |
|------|------------|--|-----|-----|---|
| 22 | C9002188BK | O/S DOOR PANEL-*BK* (VDSC30) | | EA | |
| 22 | C9002188BT | O/S DOOR PANEL-*BT* (VDSC30) | | EA | NO LONGER AVAILABLE, Not available online / Call for pricing and availability |
| 22 | C9002188BU | O/S DOOR PANEL-*BU* (VDSC30) | | EA | Not available online / Call for pricing and availability |
| 22 | C9002188CB | O/S DOOR PANEL-*CB* (VDSC30) | | EA | NO LONGER AVAILABLE |
| 22 | C9002188EP | O/S DOOR PANEL-*EP* (VDSC30) | | EA | NO LONGER AVAILABLE, Not available online / Call for pricing and availability |
| 22 | C9002188FG | O/S DOOR PANEL-*FG* (VDSC30) | | EA | NO LONGER AVAILABLE, Not available online / Call for pricing and availability |
| 22 | C9002188GG | O/S DOOR PANEL-*GG* (VDSC30) | | EA | |
| 22 | C9002188LE | O/S DOOR PANEL-*LE* (VDSC30) | | EA | NO LONGER AVAILABLE, Not available online / Call for pricing and availability |
| 22 | C9002188MJ | O/S DOOR PANEL-*MJ* (VDSC30) | | EA | NO LONGER AVAILABLE, Not available online / Call for pricing and availability |
| 22 | C9002188SG | O/S DOOR PANEL-*SG* (VDSC30) | | EA | NO LONGER AVAILABLE, Not available online / Call for pricing and availability |
| 22 | C9002188VB | O/S DOOR PANEL-*VB* (VDSC30) | | EA | NO LONGER AVAILABLE |
| 22 | C9002188WH | O/S DOOR PANEL-*WH* (VDSC30) | | EA | |
| 23 | PD020033 | SRW-NO.10- 24X1/2T(23)PH.WFR HD (NKL) | | EA | |
| 24 | PD030006 | CAPPED WASHER PAL NUT | | EA | |
| 25 | PE010016 | LOGO (ALL RANGES) *BK/CHR 307997W | | EA | |

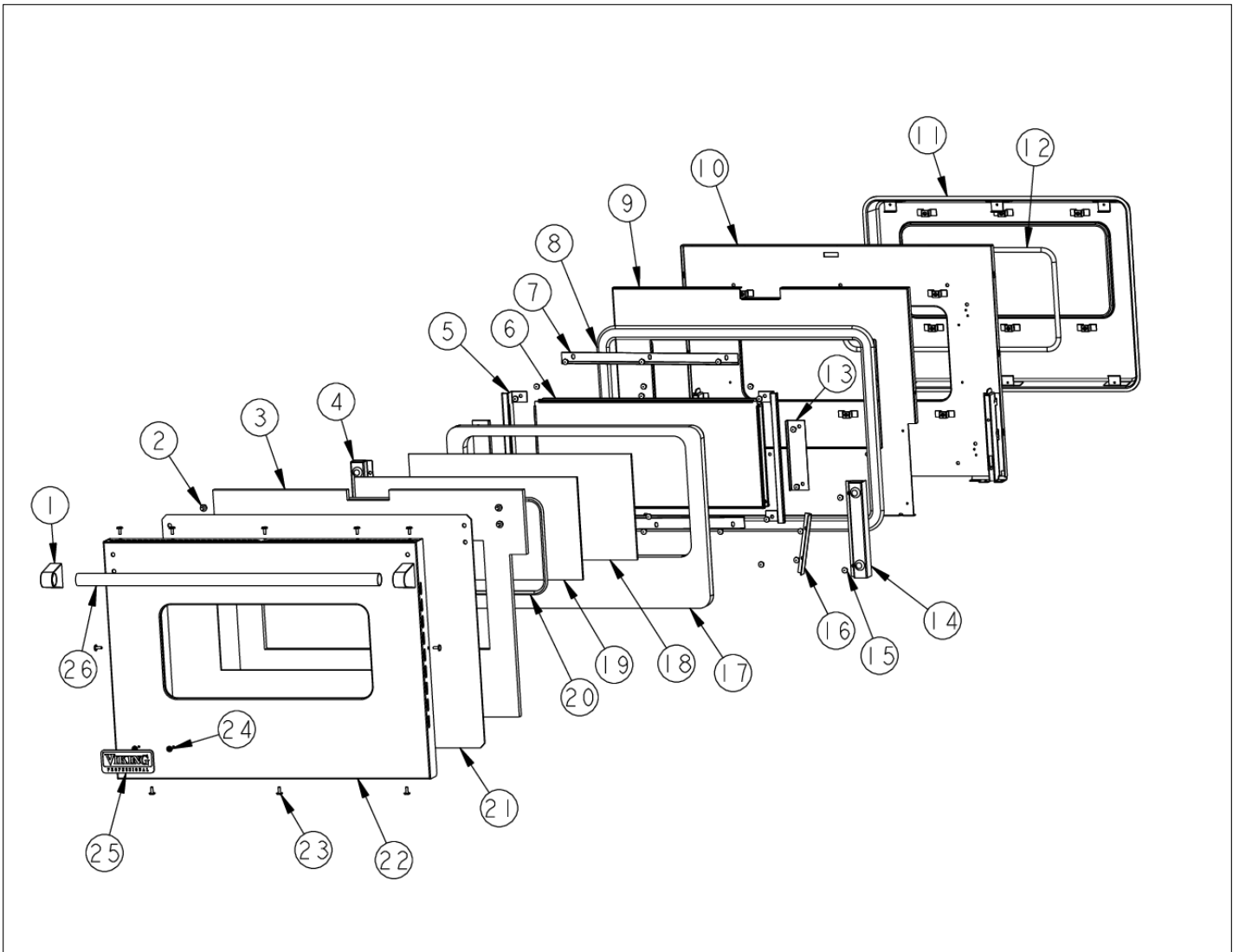




| Item | Part No. | Name | Qty | Uom | NOTES |
|------|--------------|---|-----|-----|---|
| 25 | PE010017 | LOGO (VGSO,VEDO,VGDO,VUD) *WH/CHR | | EA | |
| 25 | PE010079 | 4.5" LOGO/VIKING PROF *BK/BR | | EA | |
| 25 | PE010080 | 4.5" LOGO/VIKING PROF *WH/BR | | EA | |
| 26 | PE030005 | DOOR HANDLE - VGSC30/RC60/RC48RH | | EA | |
| 26 | PE030012PVD | DOOR HANDLE - RH - (30"/48") PVD | | EA | |
| 26 | G3202172AL | DOOR SUB-ASSY-*AL* (VDSC30) | | EA | NO LONGER AVAILABLE, Not available online / Call for pricing and availability |
| 26 | G3202172ALBR | DOOR SUB-ASSY-*AL**BR* VDSC30 | | EA | NO LONGER AVAILABLE, Not available online / Call for pricing and availability |
| 26 | G3202172BK | DOOR SUB-ASSY-*BK* (VDSC30) | | EA | NO LONGER AVAILABLE |
| 26 | G3202172BKBR | DOOR SUB-ASSY-*BK**BR* (VDSC30) | | EA | NO LONGER AVAILABLE, Not available online / Call for pricing and availability |
| 26 | G3202172BT | DOOR SUB-ASSY-*BT* (VDSC30) | | EA | NO LONGER AVAILABLE, Not available online / Call for pricing and availability |
| 26 | G3202172BTBR | COMPLETE DOOR ASSY. - BTBR | | EA | Not available online / Call for pricing and availability |
| 26 | G3202172BU | DOOR SUB-ASSY-*BU* (VDSC30) | | EA | NO LONGER AVAILABLE, Not available online / Call for pricing and availability |
| 26 | G3202172BUBR | DOOR SUB-ASSY-*BU**BR* (VDSC30) | | EA | NO LONGER AVAILABLE, Not available online / Call for pricing and availability |
| 26 | G3202172CB | DOOR SUB-ASSY-*CB* (VDSC30) | | EA | NO LONGER AVAILABLE, Not available online / Call for pricing and availability |



| Item | Part No. | Name | Qty | Uom | NOTES |
|------|--------------|------------------------------------|-----|-----|---|
| 26 | G3202172CBBR | COMPLETE DOOR ASSY. - CBBR | | EA | Not available online / Call for pricing and availability |
| 26 | G3202172EP | DOOR SUB-ASSY- *EP*(VDSC30) | | EA | NO LONGER AVAILABLE |
| 26 | G3202172EPBR | COMPLETE DOOR ASSY. - EPBR | | EA | Not available online / Call for pricing and availability |
| 26 | G3202172FG | DOOR SUB-ASSY-*FG* (VDSC30) | | EA | NO LONGER AVAILABLE, Not available online / Call for pricing and availability |
| 26 | G3202172FGBR | DOOR SUB-ASSY-*FG**BR* (VDSC30) | | EA | NO LONGER AVAILABLE, Not available online / Call for pricing and availability |
| 26 | G3202172GG | DOOR SUB-ASSY-*GG* (VDSC30) | | EA | NO LONGER AVAILABLE, Not available online / Call for pricing and availability |
| 26 | G3202172GGBR | COMPLETE DOOR ASSY. - GGBR | | EA | Not available online / Call for pricing and availability |
| 26 | G3202172LE | DOOR SUB-ASSY-LE* (VDSC30) | | EA | NO LONGER AVAILABLE, Not available online / Call for pricing and availability |
| 26 | G3202172LEBR | COMPLETE DOOR ASSY. - LEBR | | EA | Not available online / Call for pricing and availability |
| 26 | G3202172MJ | DOOR SUB-ASSY-*MJ* (VDSC30) | | EA | NO LONGER AVAILABLE, Not available online / Call for pricing and availability |
| 26 | G3202172MJBR | COMPLETE DOOR ASSY. - MJBR | | EA | Not available online / Call for pricing and availability |
| 26 | G3202172SG | DOOR SUB-ASSY-*SG* (VDSC30) | | EA | NO LONGER AVAILABLE |
| 26 | G3202172SGBR | COMPLETE DOOR ASSY. - SGBR | | EA | Not available online / Call for pricing and availability |



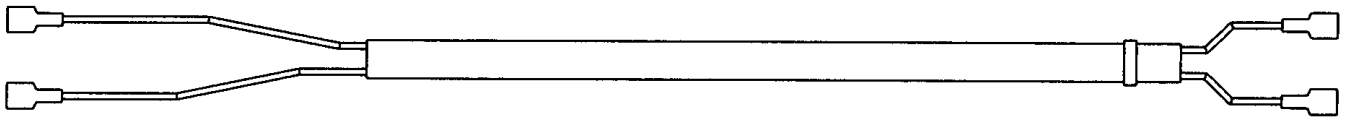


| Item | Part No. | Name | Qty | Uom | NOTES |
|------|--------------|------------------------------------|-----|-----|---|
| 26 | G3202172SS | DOOR SUB-ASSY-*SS* (VDSC30) | | EA | |
| 26 | G3202172SSBR | COMPLETE DOOR ASSY. - SSBR | | EA | Not available online / Call for pricing and availability |
| 26 | G3202172VB | DOOR SUB-ASSY-*VB* (VDSC30) | | EA | NO LONGER AVAILABLE, Not available online / Call for pricing and availability |
| 26 | G3202172VBBR | DOOR SUB-ASSY-*VB**BR* (VDSC30) | | EA | NO LONGER AVAILABLE, Not available online / Call for pricing and availability |
| 26 | G3202172WH | DOOR SUB-ASSY-*WH* (VDSC30) | | EA | |

IGNITER WIRE KIT

1

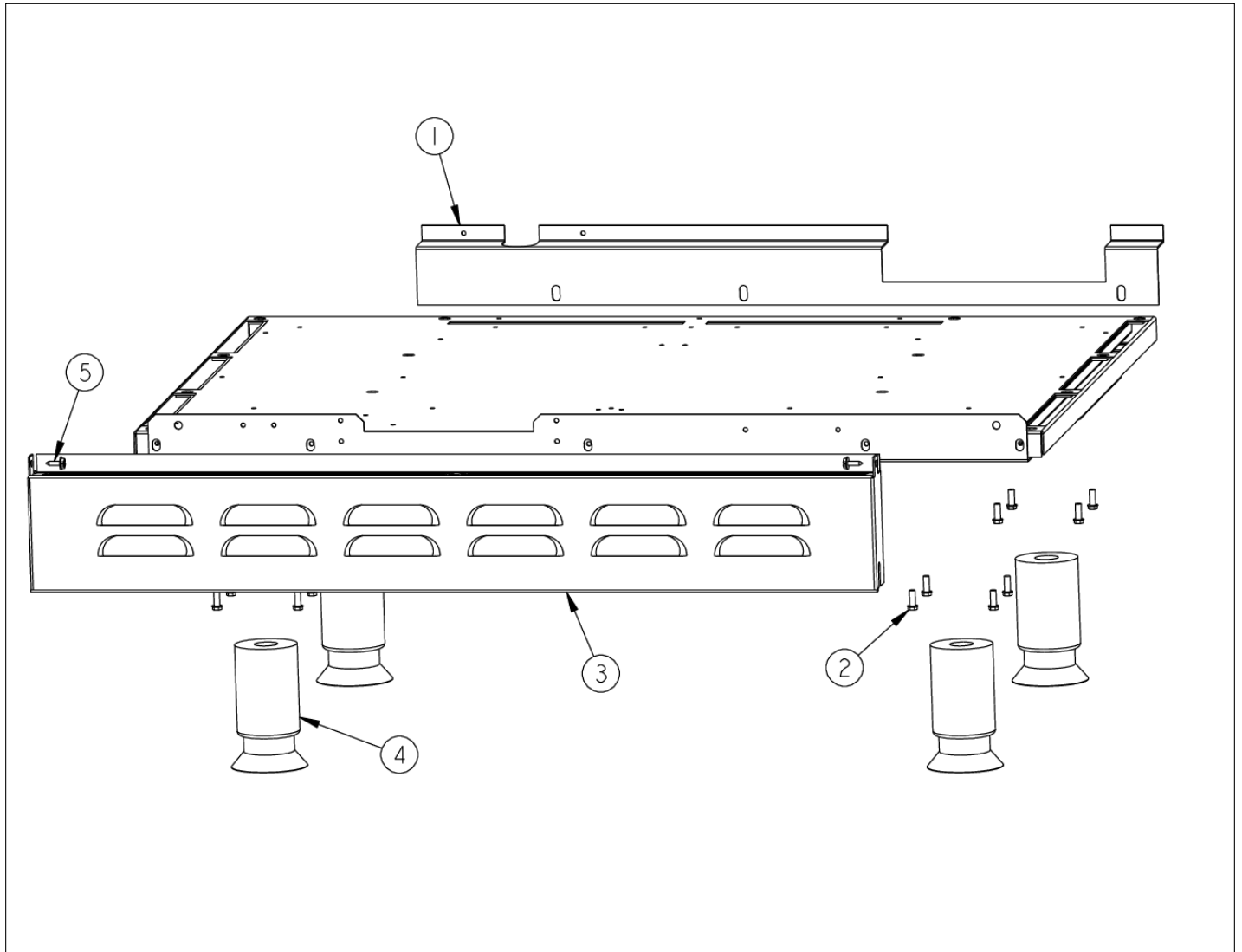
NOTE: EACH "KIT" WILL CONTAIN SEVERAL SETS OF IGNITOR WIRES (AS SHOWN BELOW). THESE SHOULD BE BUNDLED TOGETHER WITH TAPE & LABELED WITH THE KIT PURC. # , AND THE MODEL USAGE #.





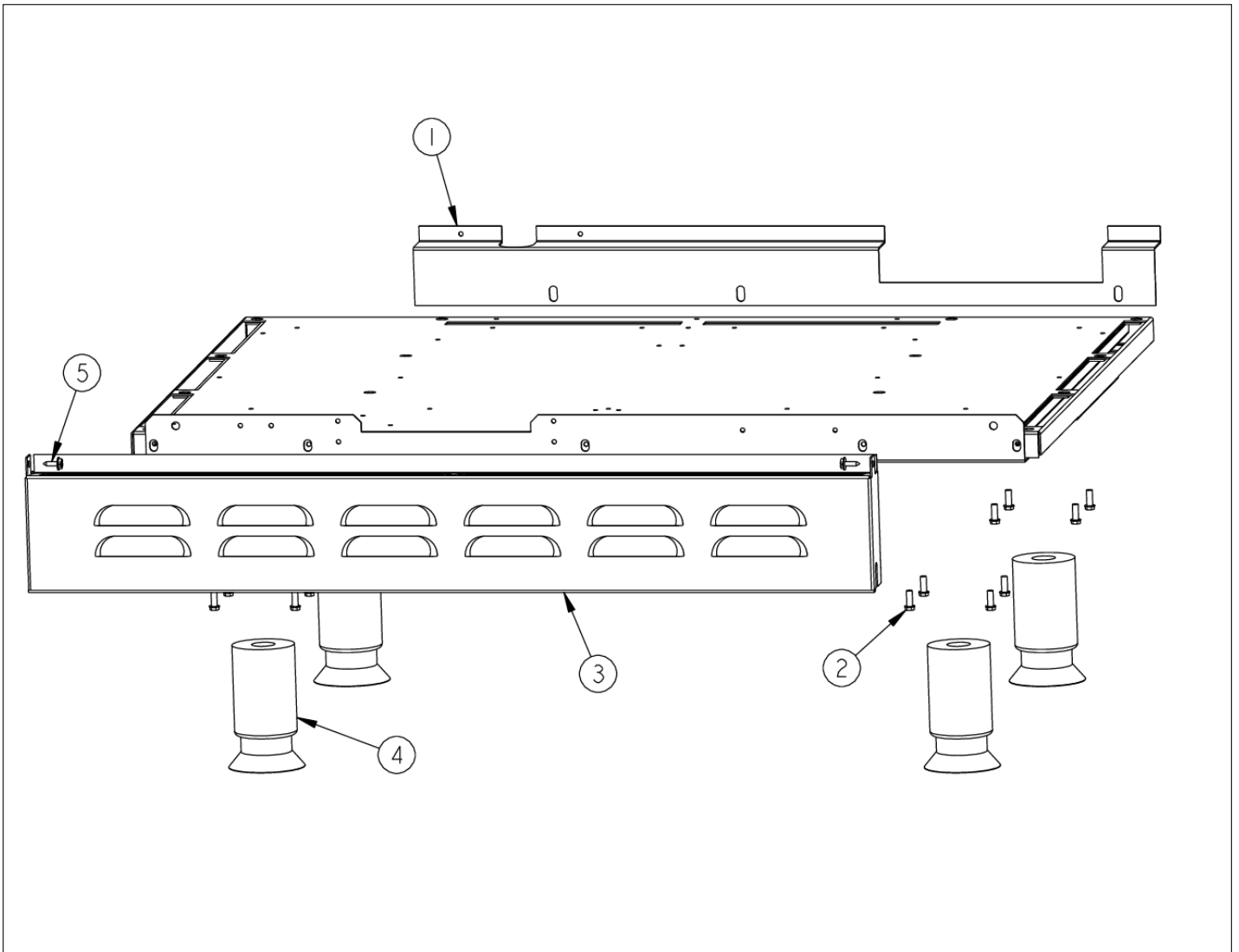
| Item | Part No. | Name | Qty | Uom | NOTES |
|------|----------|---|-----|-----|-------|
| 1 | PE070713 | IGNITOR WIRE KIT - VGIC/VDSC/VGSC307 | 1 | EA | |

LOWER UNIT AREA





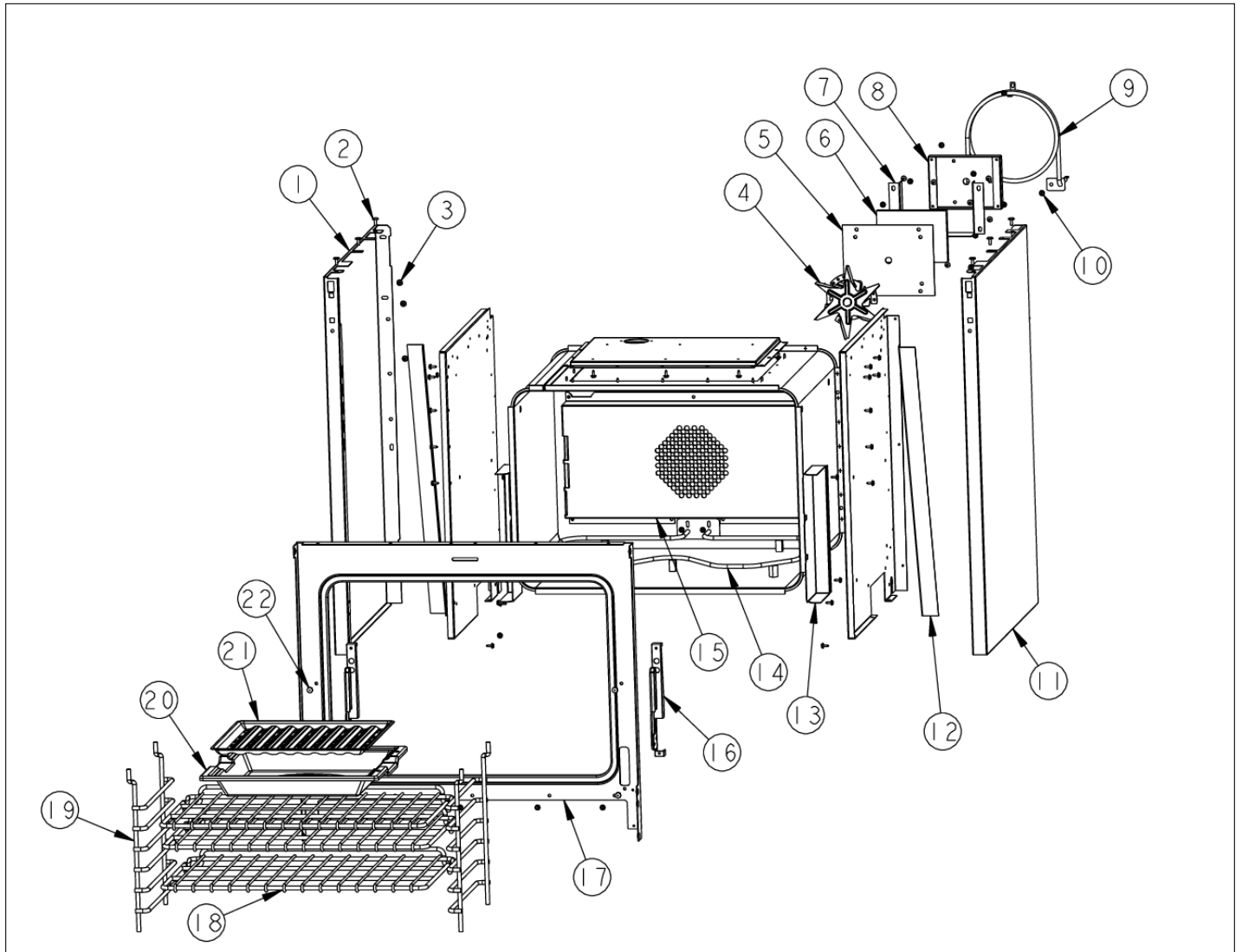
| Item | Part No. | Name | Qty | Uom | NOTES |
|------|------------|--------------------------------------|-----|-----|---|
| 1 | A2004294 | LOWER BACK COVER (VDSC305) | 1 | EA | NO LONGER AVAILABLE |
| 2 | PD020060 | 10 X 1/2" (5/16)HEX WSHER HD.(T)A | 1 | EA | |
| 3 | B2001815 | LOWER ACC PAN - (VGRC605) | 1 | EA | |
| 3 | C9001815AL | LOWER ACC PAN - *AL* (VGRC605) | 1 | EA | Not available online / Call for pricing and availability |
| 3 | C9001815BK | LOWER ACC PAN - *BK* (VGRC605) | 1 | EA | |
| 3 | C9001815BT | LOWER ACC PAN - *BT* (VGRC605) | 1 | EA | NO LONGER AVAILABLE |
| 3 | C9001815BU | LOWER ACC PAN - *BU* (VGRC605) | 1 | EA | Not available online / Call for pricing and availability |
| 3 | C9001815CB | LOWER ACC PAN - *CB* (VGRC605) | 1 | EA | Not available online / Call for pricing and availability |
| 3 | C9001815EP | LOWER ACC PAN - *EP* (VGRC605) | 1 | EA | NO LONGER AVAILABLE, Not available online / Call for pricing and availability |
| 3 | C9001815FG | LOWER ACC PAN - *FG* (VGRC605) | 1 | EA | NO LONGER AVAILABLE, Not available online / Call for pricing and availability |
| 3 | C9001815GG | LOWER ACC PAN - *GG* (VGRC605) | 1 | EA | NO LONGER AVAILABLE |
| 3 | C9001815LE | LOWER ACC PAN - *LE* (VGRC605) | 1 | EA | NO LONGER AVAILABLE |
| 3 | C9001815MJ | LOWER ACC PAN - *MJ* (VGRC605) | 1 | EA | NO LONGER AVAILABLE, Not available online / Call for pricing and availability |
| 3 | C9001815SG | LOWER ACC PAN - *SG* (VGRC605) | 1 | EA | |
| 3 | C9001815VB | LOWER ACC PAN - *VB* (VGRC605) | 1 | EA | NO LONGER AVAILABLE |
| 3 | C9001815WH | LOWER ACC PAN - *WH* (VGRC605) | 1 | EA | |
| 4 | PC030017 | 4" LEG ASSY | 1 | EA | |





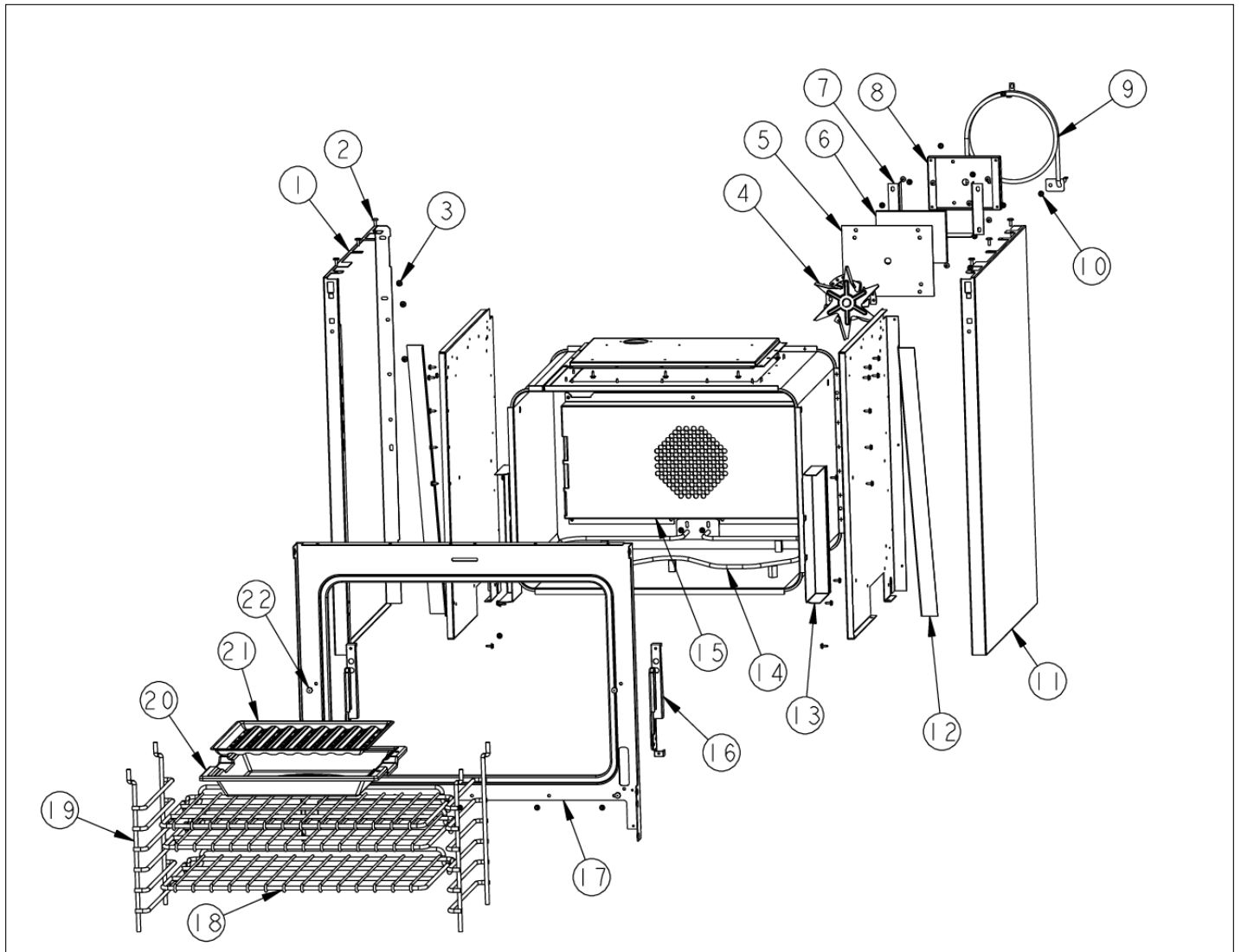
| Item | Part No. | Name | Qty | Uom | NOTES |
|------|----------|-----------------------------------|-----|-----|-------|
| 5 | PD020003 | #10 X 1/2 T(A) HEX WASHER HEAD | 1 | EA | |

MAIN OVEN CAVITY



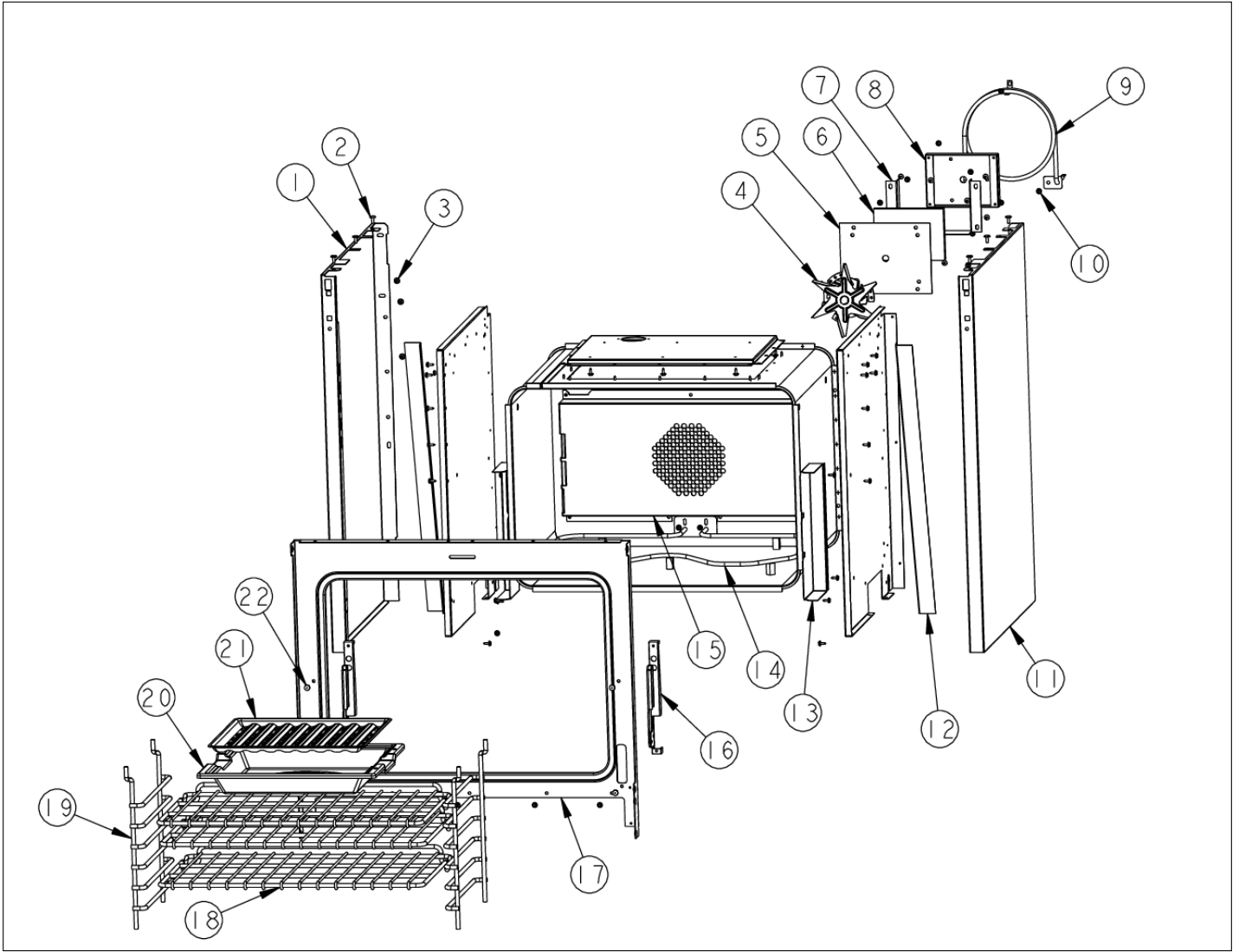


| Item | Part No. | Name | Qty | Uom | NOTES |
|------|------------|---------------------------------|-----|-----|---|
| 1 | B2007870 | IC SEALED LH SIDE PANEL | 1 | EA | |
| 1 | C9007870AL | IC SEALED LH SIDE PANEL *AL* | 1 | EA | NO LONGER AVAILABLE, Not available online / Call for pricing and availability |
| 1 | C9007870BK | IC SEALED LH SIDE PANEL *BK* | 1 | EA | NO LONGER AVAILABLE |
| 1 | C9007870BT | IC SEALED LH SIDE PANEL *BT* | 1 | EA | NO LONGER AVAILABLE, Not available online / Call for pricing and availability |
| 1 | C9007870BU | IC SEALED LH SIDE PANEL *BU* | 1 | EA | NO LONGER AVAILABLE |
| 1 | C9007870CB | IC SEALED LH SIDE PANEL *CB* | 1 | EA | NO LONGER AVAILABLE |
| 1 | C9007870EP | IC SEALED LH SIDE PANEL *EP* | 1 | EA | NO LONGER AVAILABLE, Not available online / Call for pricing and availability |
| 1 | C9007870FG | IC SEALED LH SIDE PANEL *FG* | 1 | EA | NO LONGER AVAILABLE, Not available online / Call for pricing and availability |
| 1 | C9007870GG | IC SEALED LH SIDE PANEL *GG* | 1 | EA | NO LONGER AVAILABLE, Not available online / Call for pricing and availability |
| 1 | C9007870LE | IC SEALED LH SIDE PANEL *LE* | 1 | EA | NO LONGER AVAILABLE, Not available online / Call for pricing and availability |
| 1 | C9007870MJ | IC SEALED LH SIDE PANEL *MJ* | 1 | EA | NO LONGER AVAILABLE, Not available online / Call for pricing and availability |
| 1 | C9007870SG | IC SEALED LH SIDE PANEL *SG* | 1 | EA | NO LONGER AVAILABLE |
| 1 | C9007870VB | IC SEALED LH SIDE PANEL *VB* | 1 | EA | NO LONGER AVAILABLE, Not available online / Call for pricing and availability |
| 1 | C9007870WH | IC SEALED LH SIDE PANEL *WH* | 1 | EA | NO LONGER AVAILABLE |



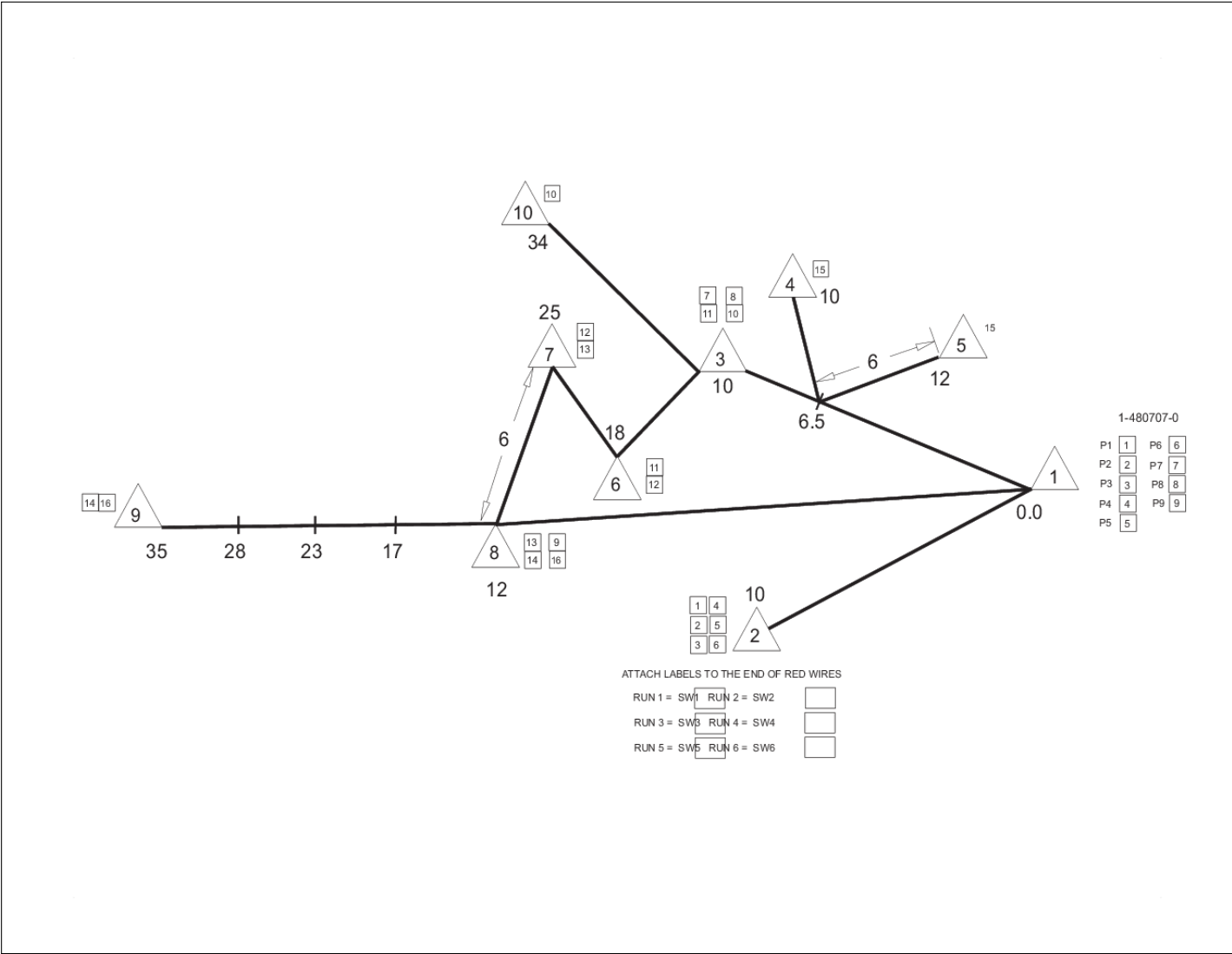


| Item | Part No. | Name | Qty | Uom | NOTES |
|------|------------|--------------------------------------|-----|-----|---|
| 2 | PD020033 | SRW-NO.10-24X1/2T(23)PH.WFR HD (NKL) | 1 | EA | |
| 3 | PD020002 | 10 X 1/2 PH TR HD SMS | 1 | EA | |
| 4 | PE050005 | CONVECTION FAN ASSY | 1 | EA | |
| 5 | A1002596 | CONVECTION FAN COVER (VDSC) | 1 | EA | |
| 6 | PB070208 | CONVECTION FAN INSULATION | 1 | EA | |
| 7 | A2008440 | ALL SIDE FAN INSULATION SHIELD | 1 | EA | NO LONGER AVAILABLE, Not available online / Call for pricing and availability |
| 8 | A2002595 | CONVECTION FAN BOX (VDSC) | 1 | EA | |
| 9 | PJ010003 | CONVECTION ELEMENT (VDSC) 240V | 1 | EA | |
| 10 | PD020003 | #10 X 1/2 T(A) HEX WASHER HEAD | 1 | EA | |
| 11 | B2007869 | IC SEALED RH SIDE PANEL | 1 | EA | |
| 11 | C9007869AL | IC SEALED RH SIDE PANEL *AL* | 1 | EA | NO LONGER AVAILABLE, Not available online / Call for pricing and availability |
| 11 | C9007869BK | IC SEALED RH SIDE PANEL *BK* | 1 | EA | NO LONGER AVAILABLE |
| 11 | C9007869BT | IC SEALED RH SIDE PANEL *BT* | 1 | EA | NO LONGER AVAILABLE |
| 11 | C9007869BU | SEALED RH SIDE PANEL *BU* | 1 | EA | NO LONGER AVAILABLE |
| 11 | C9007869CB | IC SEALED RH SIDE PANEL *CB* | 1 | EA | NO LONGER AVAILABLE |
| 11 | C9007869EP | IC SEALED RH SIDE PANEL *EP* | 1 | EA | NO LONGER AVAILABLE |
| 11 | C9007869FG | IC SEALED RH SIDE PANEL *FG* | 1 | EA | NO LONGER AVAILABLE, Not available online / Call for pricing and availability |
| 11 | C9007869GG | IC SEALED RH SIDE PANEL *GG* | 1 | EA | NO LONGER AVAILABLE, Not available online / Call for pricing and availability |





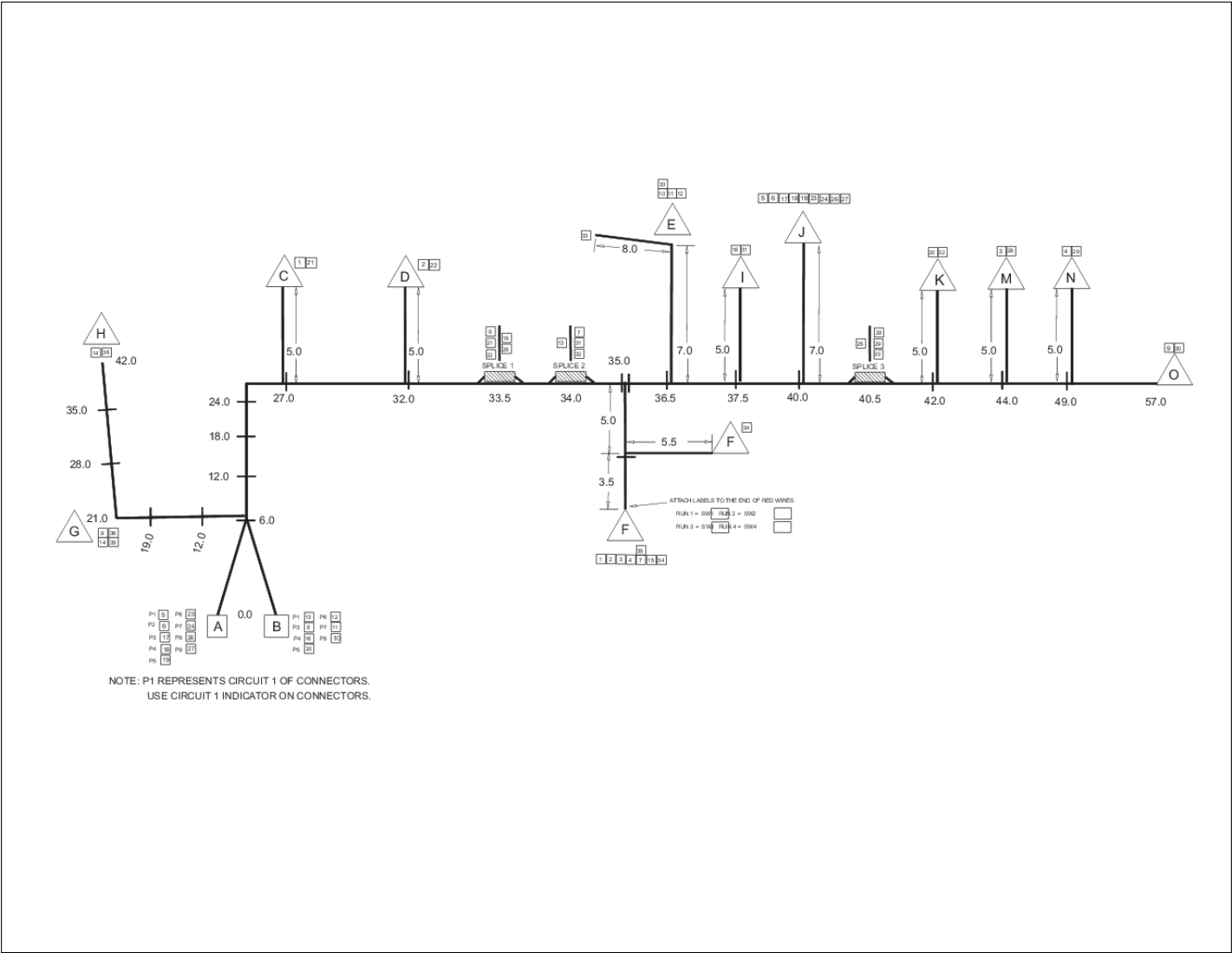
| Item | Part No. | Name | Qty | Uom | NOTES |
|------|------------|--------------------------------------|-----|-----|---|
| 11 | C9007869LE | IC SEALED RH SIDE PANEL *LE* | 1 | EA | NO LONGER AVAILABLE, Not available online / Call for pricing and availability |
| 11 | C9007869MJ | IC SEALED RH SIDE PANEL *MJ* | 1 | EA | NO LONGER AVAILABLE, Not available online / Call for pricing and availability |
| 11 | C9007869SG | IC SEALED RH SIDE PANEL *SG* | 1 | EA | NO LONGER AVAILABLE |
| 11 | C9007869VB | IC SEALED RH SIDE PANEL *VB* | 1 | EA | NO LONGER AVAILABLE, Not available online / Call for pricing and availability |
| 11 | C9007869WH | IC SEALED RH SIDE PANEL *WH* | 1 | EA | Not available online / Call for pricing and availability |
| 12 | A2002475 | SIDE PANEL DIVERTER (VDSC) | 1 | EA | NO LONGER AVAILABLE |
| 13 | A2002183 | HINGE INSULATION COVER (VDSC) | 1 | EA | |
| 14 | PJ010004 | BAKE ELEMENT (VDSC) 240V | 1 | EA | |
| 15 | E9102170 | CONVECTION FAN COVER | 1 | EA | |
| 16 | PC020009 | HINGE ASSY (BROWN) | 1 | EA | |
| 17 | G9102743 | OVEN FRONT FRAME ASSY (VDSC30) | 1 | EA | Not available online / Call for pricing and availability |
| 18 | PB060044 | OVEN RK VDSC30/48RH REPL PB060019 | 1 | EA | |
| 19 | PB060030 | RACK SUPT REPL PB060010 | 1 | EA | |
| 20 | E9107933 | BROILER PAN | 1 | EA | |
| 21 | E9107934 | BROILER PAN INSERT - NLA | 1 | EA | |
| 22 | PD020014 | 10X3/4 PH TR HD SMS | 1 | EA | |





| Item | Part No. | Name | Qty | Uom | NOTES |
|------|----------|---------------------------------|-----|-----|-------|
| 1 | PE070783 | 6 POSITION SPARK MOD HARNESS | 1 | EA | |

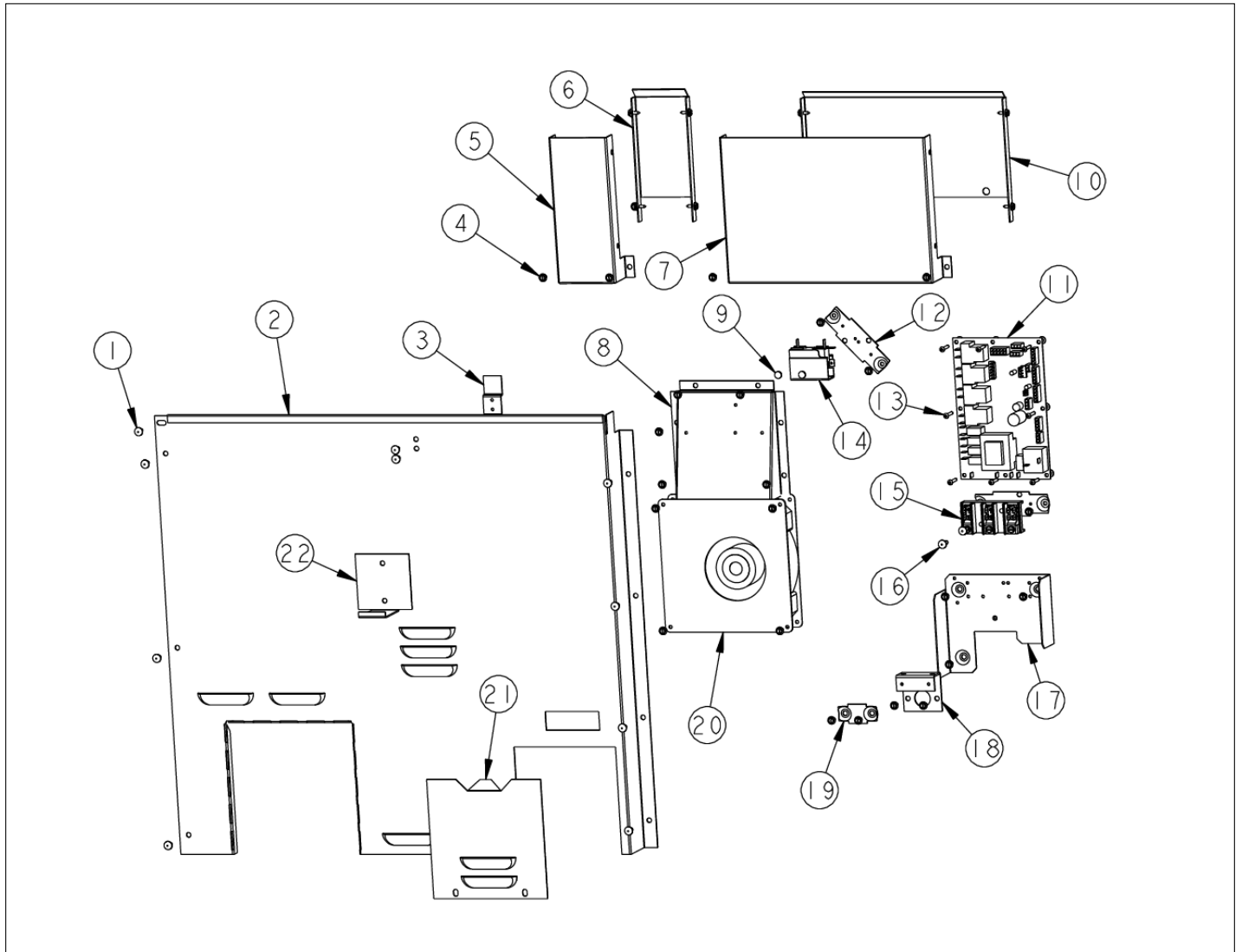
PE070811





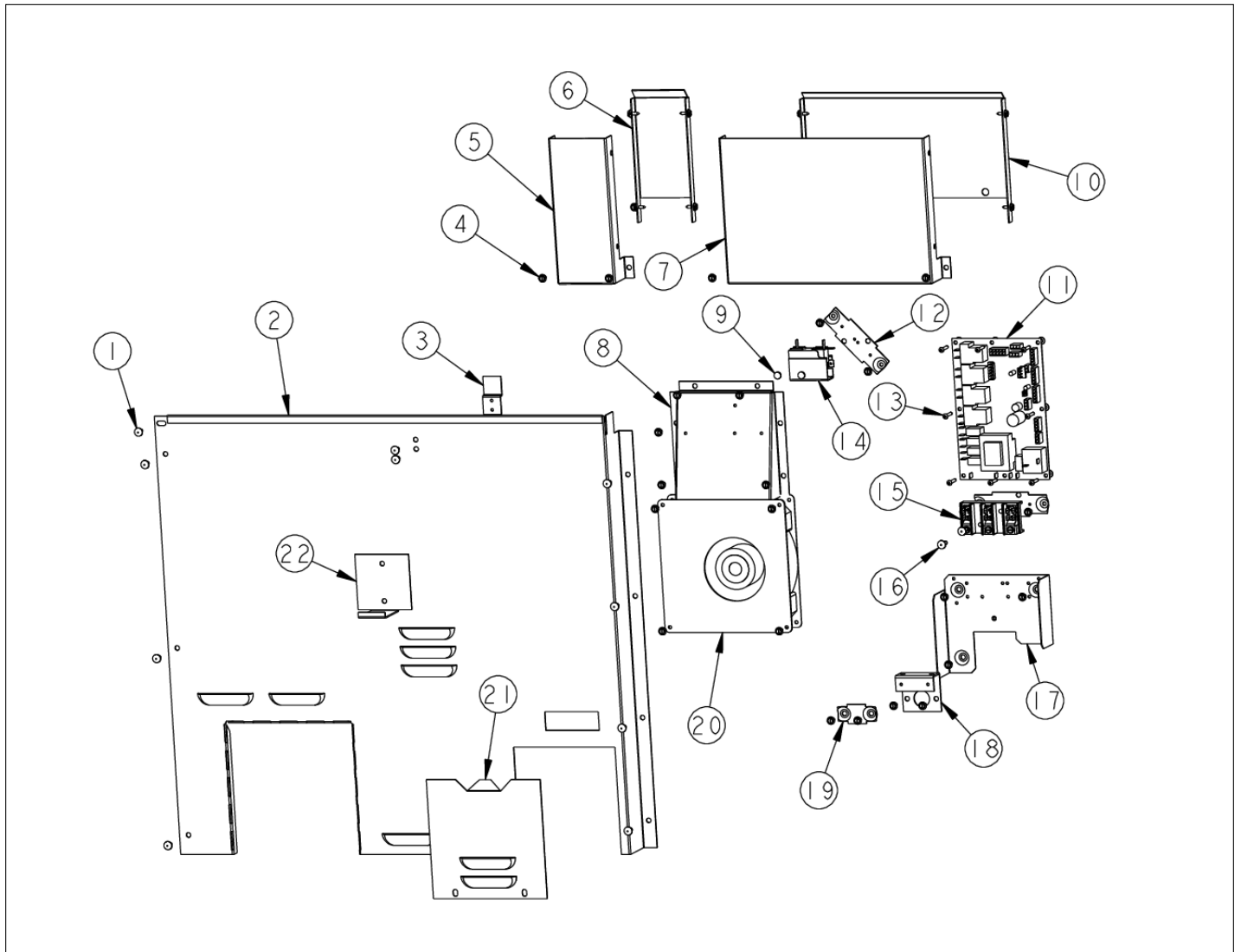
| Item | Part No. | Name | Qty | Uom | NOTES |
|------|----------|--------------------------|-----|-----|---|
| 1 | PE070811 | VDSC307/305 WIRE HARNESS | 1 | EA | NO LONGER AVAILABLE, Not available online / Call for pricing and availability |

REAR UNIT AREA





| Item | Part No. | Name | Qty | Uom | NOTES |
|------|----------|-------------------------------------|-----|-----|---|
| 1 | PD020002 | 10 X 1/2 PH TR HD SMS | 1 | EA | |
| 2 | A2004297 | UPPER BACK COVER (VDSC305) | 1 | EA | NO LONGER AVAILABLE |
| 3 | A2005735 | BACKGUARD SUPPORT BRACKET | 1 | EA | |
| 4 | PD020003 | #10 X 1/2 T(A) HEX WASHER HEAD | 1 | EA | |
| 5 | A2002484 | AIR FLUE (VDSC) | 1 | EA | NO LONGER AVAILABLE, Not available online / Call for pricing and availability |
| 6 | A2002483 | AIR FLUE (VDSC) | 1 | EA | NO LONGER AVAILABLE, Not available online / Call for pricing and availability |
| 7 | A2002486 | AIR FLUE (LARGE-BACK) VDSC | 1 | EA | NO LONGER AVAILABLE, Not available online / Call for pricing and availability |
| 8 | A2002180 | COOLING FAN HOUSING (VDSC) | 1 | EA | NO LONGER AVAILABLE |
| 9 | PD020044 | #8-32 X 1/4" PH. TR. HD. M.S. | 1 | EA | |
| 10 | A2002485 | AIR FLUE (LARGE-FRONT) VDSC | 1 | EA | NO LONGER AVAILABLE, Not available online / Call for pricing and availability |
| 11 | PE070786 | ELECTRONIC CONTROL BOARD | 1 | EA | |
| 12 | A1002456 | THERMO-DISC BRKT (VDSC) | 1 | EA | |
| 13 | PD020185 | Screw, 6 X 1" Pan Head | 1 | EA | |
| 14 | PJ030002 | AUTO RESET (SELF-CLEAN) VDSC | 1 | EA | |
| 15 | PE070147 | TERMINAL BLOCK (VDSC) | 1 | EA | |
| 16 | PD020014 | 10X3/4 PH TR HD SMS | 1 | EA | |
| 17 | A2002193 | ELECTRICAL MOUNTING BRKT (VDSC) | 1 | EA | NO LONGER AVAILABLE |
| 18 | A2002195 | POWER CORD MOUNTING BRKT (VDSC) | 1 | EA | |
| 19 | A1002457 | POWER CORD MOUNTING STRAP (VDSC) | 1 | EA | |
| 20 | PE050026 | COOLING FAN (VDSC) | 1 | EA | |

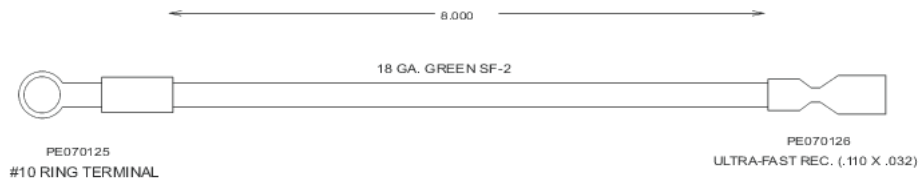




| Item | Part No. | Name | Qty | Uom | NOTES |
|------|----------|-------------------------|-----|-----|-------|
| 21 | A2002454 | BACK, COVER ACCESS DOOR | 1 | EA | |
| 22 | A2002654 | ANTI-TIP DEVICE (VDSC) | 1 | EA | |

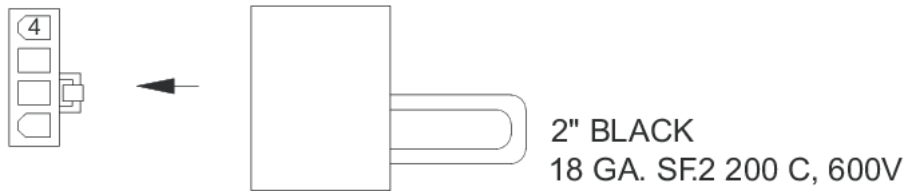
SINGLE WIRING

1



2

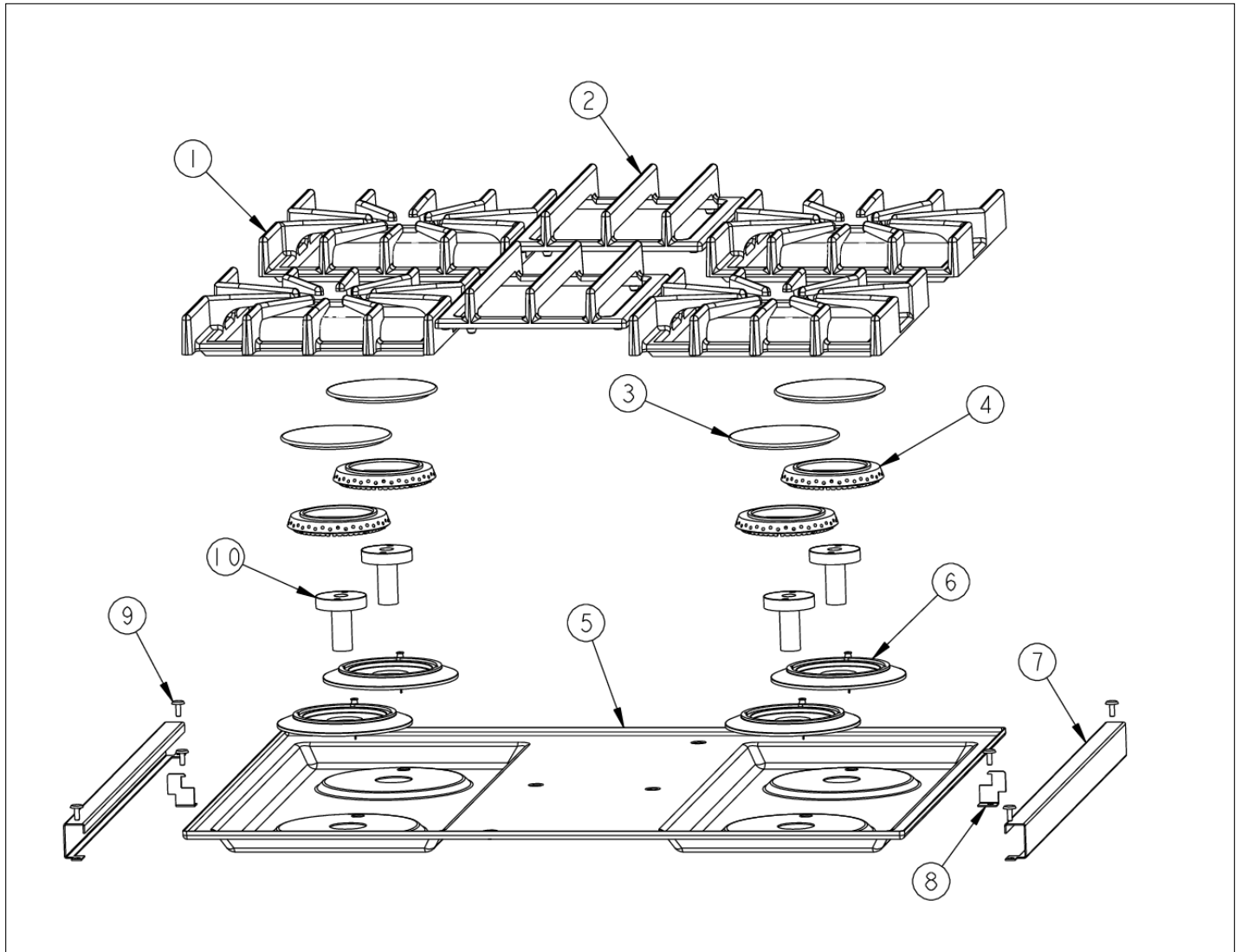
- 1 -
- 2 -
- 3 - BLACK
- 4 - BLACK





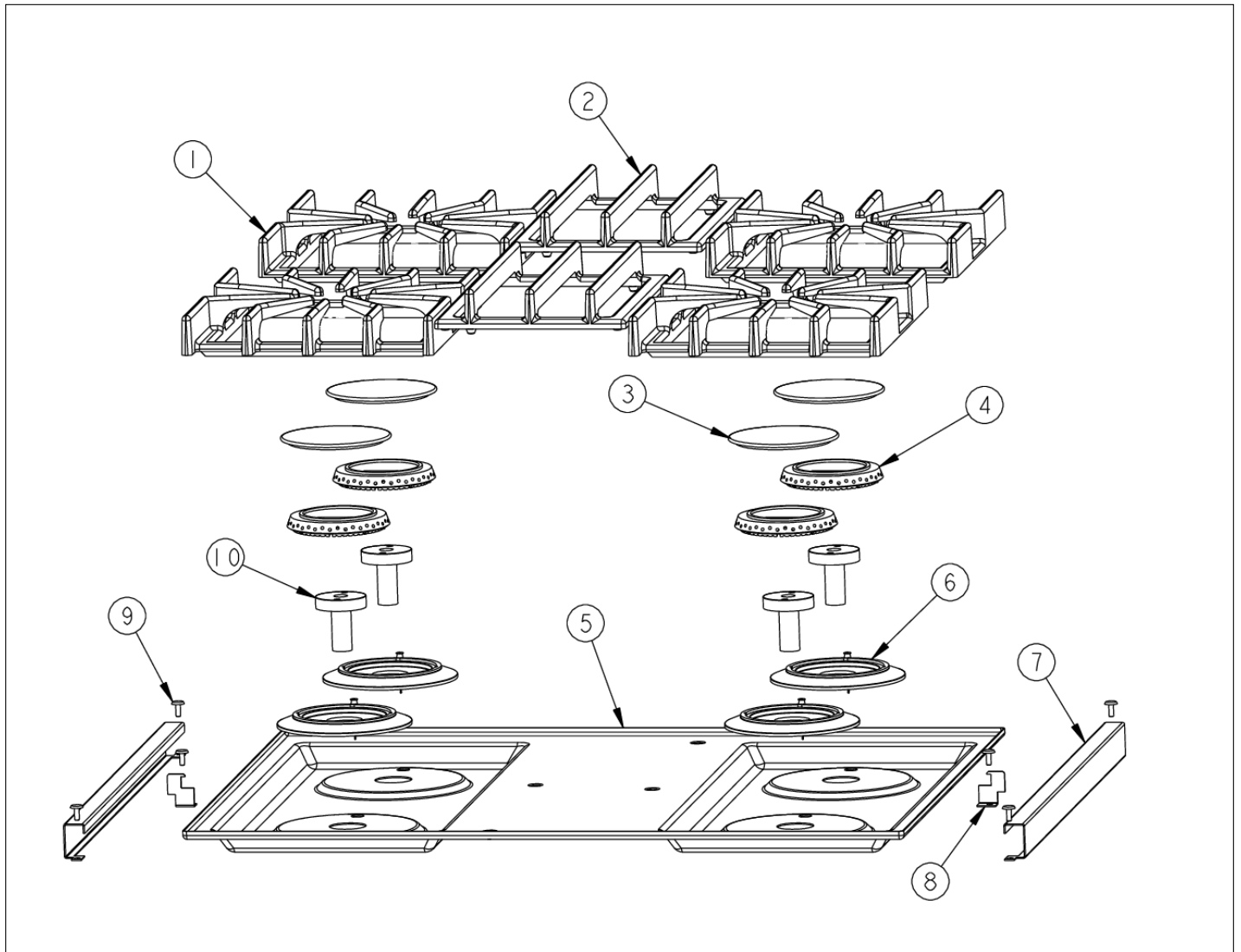
| Item | Part No. | Name | Qty | Uom | NOTES |
|------|----------|-----------------------|-----|-----|---------------------|
| 1 | G4000936 | GROUND WIRE | 1 | EA | |
| 2 | PE070624 | SINGLE PREHEAT JUMPER | 1 | EA | NO LONGER AVAILABLE |

SURFACE COOKING AREA





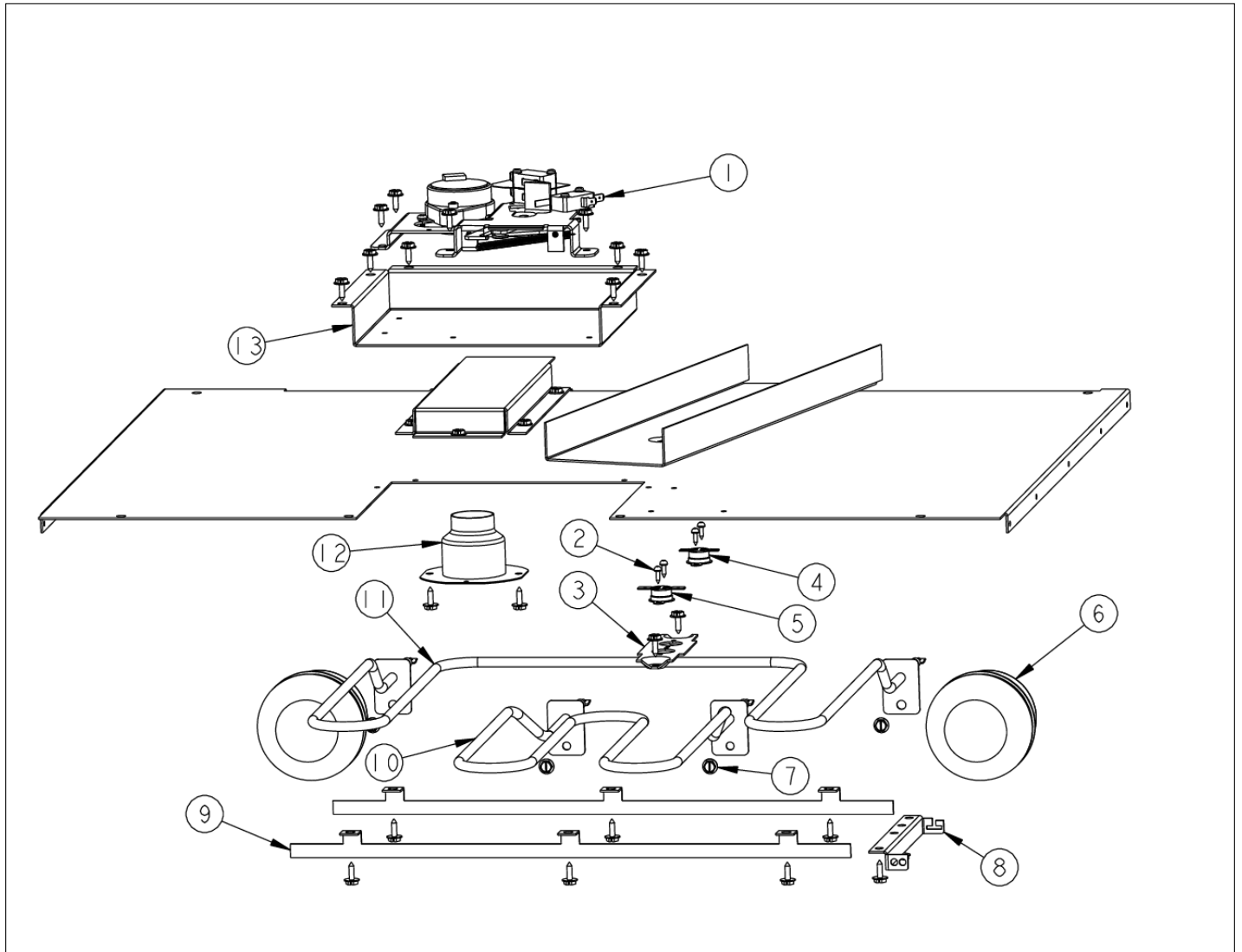
| Item | Part No. | Name | Qty | Uom | NOTES |
|-----------|------------|----------------------------------|-----|-----|--|
| 1 | PA060054 | Burner Grate - BK | 1 | EA | |
| Not Shown | PA060062 | Burner Grate - GR | 1 | EA | |
| 2 | PA060060 | SEALED COOKTOP CENTER GRATE *BK* | 1 | EA | |
| Not Shown | PA060061 | SEALED COOKTOP CENTER GRATE GRAY | 1 | EA | |
| 3 | PA080083 | D BURNER CAP *MATTE BLACK* | 1 | EA | |
| 3 | PA080086 | Burner Cap - GR | 1 | EA | |
| 4 | PB050063 | Burner Head | 1 | EA | |
| Not Shown | NOTE | (Before 12/18/07) | | EA | |
| 4 | 018200-000 | ADJUSTED SEALED BURNER HEAD | 1 | EA | |
| Not Shown | NOTE | (After 12/18/07) | | EA | |
| 5 | E9107413AL | MAIN TOP ASSEMBLY - AL | 1 | EA | Not available online / Call for pricing and availability |
| 5 | E9107413BK | MAIN TOP 30" *BK* | 1 | EA | |
| 5 | E9107413BT | MAIN TOP ASSEMBLY - BT | 1 | EA | Not available online / Call for pricing and availability |
| 5 | E9107413CB | MAIN TOP ASSEMBLY - CB | 1 | EA | Not available online / Call for pricing and availability |
| 5 | E9107413EP | MAIN TOP ASSEMBLY - EP | 1 | EA | Not available online / Call for pricing and availability |
| 5 | E9107413FG | MAIN TOP ASSEMBLY - FG | 1 | EA | Not available online / Call for pricing and availability |
| 5 | E9107413GG | MAIN TOP ASSEMBLY - GG | 1 | EA | Not available online / Call for pricing and availability |
| 5 | E9107413LE | MAIN TOP ASSEMBLY - LE | 1 | EA | Not available online / Call for pricing and availability |





| Item | Part No. | Name | Qty | Uom | NOTES |
|--|------------|---|-----|-----|---|
| 5 | E9107413MJ | MAIN TOP ASSEMBLY - MJ | 1 | EA | Not available online / Call for pricing and availability |
| 5 | E9107413SG | MAIN TOP 30" *SG* | 1 | EA | NO LONGER AVAILABLE, Not available online / Call for pricing and availability |
| 5 | E9107413VB | MAIN TOP ASSEMBLY - VB | 1 | EA | Not available online / Call for pricing and availability |
| 5 | E9107413WH | MAIN TOP 30" *WH* | 1 | EA | |
| 6 | PB050081 | BURNER BASE ASM | 1 | EA | |
| Not Shown | NOTE | (INCLUDES IGNITER) - BEFORE 12/18/07 | | EA | |
| 6 | 003322-040 | SEALED BURNER BASE, TURNED FINISH | 1 | EA | |
| Not Shown | NOTE | (INCLUDES IGNITER) - AFTER 12/18/07 | | EA | |
| 7 | B2007868 | IC SEALED SIDE TRIM | 1 | EA | |
| 7 | C9307868BR | IC SEALED SIDE TRIM *BR* | 1 | EA | |
| 8 | A2007858 | SIDE TRIM BRKT | 1 | EA | |
| 9 | PD020033 | SRW-NO.10-24X1/2T(23)PH.WFR HD (NKL) | 1 | EA | |
| 10 | PA010100 | Order 072542-000 kit, see 2019-02P parts bulletin | 1 | EA | See Parts Bulletin 2019-02P |
| <p>Comments for Part Num. PA010100</p> <p>gboltz@VikingRange.com on Jun 3, 2019</p> <p>See 2019-02P Parts Bulletin</p> | | | | | |
| Not Shown | NOTE | (Before 12/18/07) | | EA | |
| NI | 009197-000 | #6-32 X 5/8 18-8 SS NC SOC CAP | 1 | EA | |
| Not Shown | NOTE | (After 12/18/07) | | EA | |

UPPER OVEN CAVITY

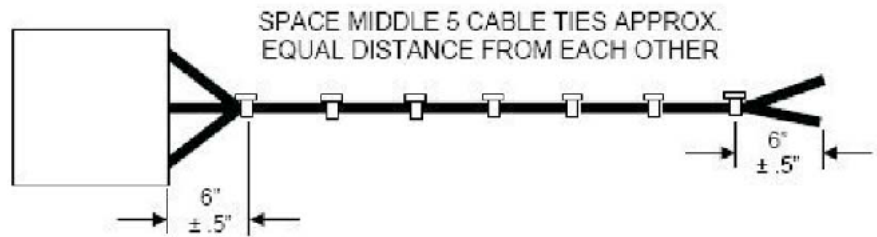
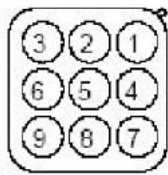




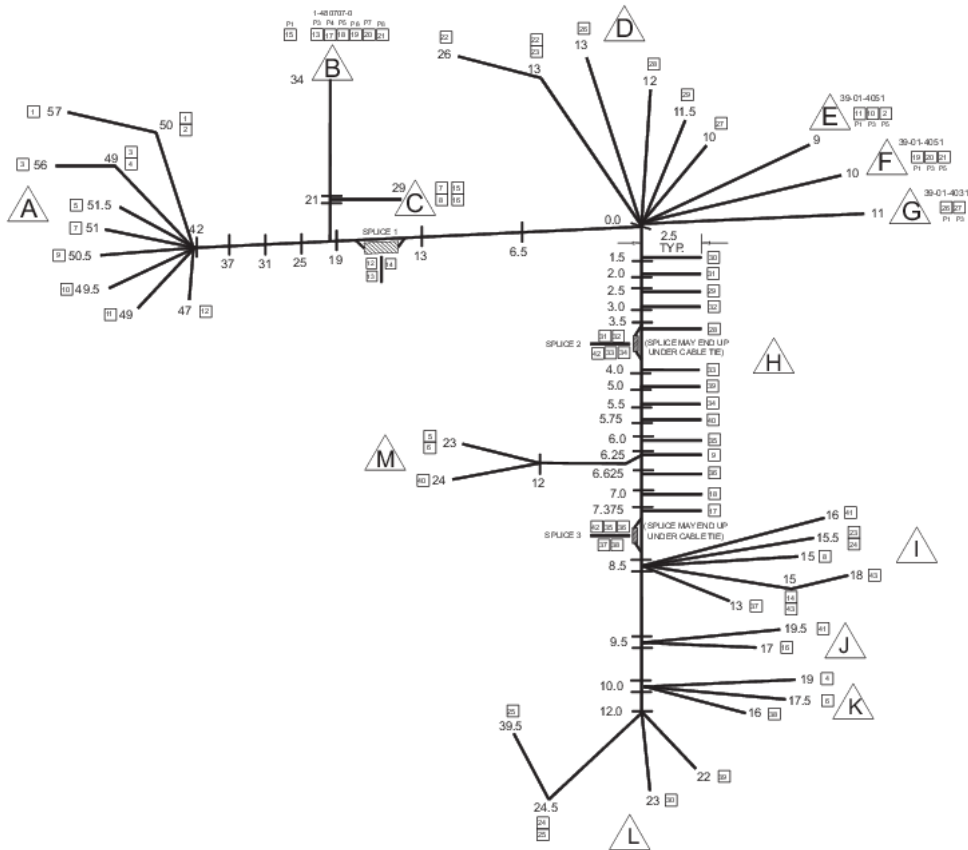
| Item | Part No. | Name | Qty | Uom | NOTES |
|------|------------|--|-----|-----|---|
| 1 | PE050053 | DR LATCH REPL PE050020 | 1 | EA | |
| 2 | PD020013 | TYPE "AB" #6 X 3/8 PH PAN HD. SMS | 1 | EA | |
| 3 | A10014918 | THERMODISC BRACKET | 1 | EA | Not available online / Call for pricing and availability |
| 4 | PJ030006 | SWITCH (COOLING FAN) | 1 | EA | |
| 5 | PJ030005 | SWITCH (HIGH-LIMIT) VDSC | 1 | EA | |
| 6 | 031449-000 | LAMP, ASM | 1 | EA | |
| 7 | PD020003 | #10 X 1/2 T(A) HEX WASHER HEAD | 1 | EA | |
| 8 | B20012039 | THERMAL BULB BRACKET | 1 | EA | Not available online / Call for pricing and availability |
| 9 | B20012072 | BROILER ELEMENT BRACKET | 1 | EA | NO LONGER AVAILABLE |
| 10 | PJ010001 | BROIL ELEMENT 240V | 1 | EA | |
| 11 | PJ010002 | BROIL ELEMENT(MAXI)-SIDE (VDSC)240V | 1 | EA | |
| 12 | PM010014 | SMOKE ELIMINATOR (VDSC) | 1 | EA | |
| 13 | A2002168 | DOOR LATCH BRKT (VDSC) | 1 | EA | |
| NI | A20015409 | DOOR LOCK AIR DIVERTER | 1 | EA | |

WIRING HARNESSES 1

1 WIRE INSERTION VIEW

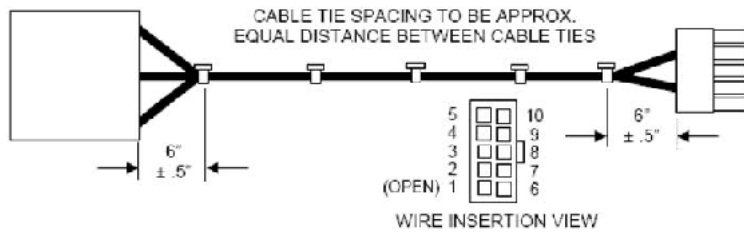
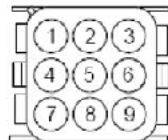


2



3

WIRE INSERTION VIEW





| Item | Part No. | Name | Qty | Uom | NOTES |
|------|----------|---------------------------|-----|-----|-------|
| 1 | PE070779 | RH 8 POS SELECTOR HARNESS | 1 | EA | |
| 2 | PE070781 | RH MAIN OVEN HARNESS | 1 | EA | |
| 3 | PE070780 | RH REAR SELECTOR HARNESS | 1 | EA | |



Appendix A:Pages Index

BACKGUARD ASSEMBLY 1
BURNER BOX INTERIOR 2
CONTROL AREA 3
DOOR ASSEMBLY 4
IGNITER WIRE KIT 5
LOWER UNIT AREA 6
MAIN OVEN CAVITY 7
PE070783 8
PE070811 9
REAR UNIT AREA 10
SINGLE WIRING 11
SURFACE COOKING AREA 12
UPPER OVEN CAVITY 13
WIRING HARNESSSES 1 14



Appendix B:Parts Index

| | | | |
|------------|----|------------|----|
| A2002497 | 4 | A2002497 | 4 |
| 000268-000 | 4 | A2002498 | 4 |
| 000594-000 | 4 | A2002499 | 4 |
| 000623-000 | 4 | A2002595 | 7 |
| 001394-042 | 2 | A2002654 | 10 |
| 001394-043 | 2 | A2004294 | 6 |
| 001396-040 | 2 | A2004297 | 10 |
| 001396-044 | 2 | A2005735 | 10 |
| 002156-000 | 3 | A2006747 | 2 |
| 003322-040 | 12 | A2006748 | 2 |
| 003517-000 | 3 | A2007852 | 2 |
| 009197-000 | 12 | A2007855 | 2 |
| 018200-000 | 12 | A2007858 | 12 |
| 031449-000 | 13 | A2007943 | 4 |
| 050172-000 | 3 | A2008440 | 7 |
| A1001138 | 3 | B20010164 | 1 |
| A10014918 | 13 | B20012039 | 13 |
| A1002456 | 10 | B20012072 | 13 |
| A1002457 | 10 | B2001782 | 1 |
| A1002596 | 7 | B2001815 | 6 |
| A1006374 | 2 | B2002188 | 4 |
| A2000210 | 2 | B2006727 | 1 |
| A20011466 | 2 | B2007868 | 12 |
| A20011467 | 2 | B2007869 | 7 |
| A20013896 | 2 | B2007870 | 7 |
| A20015409 | 13 | B30011468 | 2 |
| A2001799 | 1 | B3006728 | 1 |
| A2002168 | 13 | B3006729 | 1 |
| A2002169 | 4 | B92010453 | 3 |
| A2002180 | 10 | C9001815AL | 6 |
| A2002183 | 7 | C9001815BK | 6 |
| A2002189 | 4 | C9001815BT | 6 |
| A2002193 | 10 | C9001815BU | 6 |
| A2002195 | 10 | C9001815CB | 6 |
| A2002367 | 4 | C9001815EP | 6 |
| A2002454 | 10 | C9001815FG | 6 |
| A2002475 | 7 | C9001815GG | 6 |
| A2002483 | 10 | C9001815LE | 6 |
| A2002484 | 10 | C9001815MJ | 6 |
| A2002485 | 10 | C9001815SG | 6 |
| A2002486 | 10 | C9001815VB | 6 |



| | | | |
|------------|----|--------------|----|
| C9001815WH | 6 | E9102170 | 7 |
| C9002188AL | 4 | E9107413AL | 12 |
| C9002188BK | 4 | E9107413BK | 12 |
| C9002188BT | 4 | E9107413BT | 12 |
| C9002188BU | 4 | E9107413CB | 12 |
| C9002188CB | 4 | E9107413EP | 12 |
| C9002188EP | 4 | E9107413FG | 12 |
| C9002188FG | 4 | E9107413GG | 12 |
| C9002188GG | 4 | E9107413LE | 12 |
| C9002188LE | 4 | E9107413MJ | 12 |
| C9002188MJ | 4 | E9107413SG | 12 |
| C9002188SG | 4 | E9107413VB | 12 |
| C9002188VB | 4 | E9107413WH | 12 |
| C9002188WH | 4 | E9107933 | 7 |
| C9007869AL | 7 | E9107934 | 7 |
| C9007869BK | 7 | G3006766 | 3 |
| C9007869BT | 7 | G3202172AL | 4 |
| C9007869BU | 7 | G3202172ALBR | 4 |
| C9007869CB | 7 | G3202172BK | 4 |
| C9007869EP | 7 | G3202172BKBR | 4 |
| C9007869FG | 7 | G3202172BT | 4 |
| C9007869GG | 7 | G3202172BTBR | 4 |
| C9007869LE | 7 | G3202172BU | 4 |
| C9007869MJ | 7 | G3202172BUBR | 4 |
| C9007869SG | 7 | G3202172CB | 4 |
| C9007869VB | 7 | G3202172CBBR | 4 |
| C9007869WH | 7 | G3202172EP | 4 |
| C9007870AL | 7 | G3202172EPBR | 4 |
| C9007870BK | 7 | G3202172FG | 4 |
| C9007870BT | 7 | G3202172FGBR | 4 |
| C9007870BU | 7 | G3202172GG | 4 |
| C9007870CB | 7 | G3202172GGBR | 4 |
| C9007870EP | 7 | G3202172LE | 4 |
| C9007870FG | 7 | G3202172LEBR | 4 |
| C9007870GG | 7 | G3202172MJ | 4 |
| C9007870LE | 7 | G3202172MJBR | 4 |
| C9007870MJ | 7 | G3202172SG | 4 |
| C9007870SG | 7 | G3202172SGBR | 4 |
| C9007870VB | 7 | G3202172SS | 4 |
| C9007870WH | 7 | G3202172SSBR | 4 |
| C9307868BR | 12 | G3202172VB | 4 |



| | | | |
|--------------|----|-------------|-------------------|
| G3202172VBBR | 4 | PC020009 | 7 |
| G3202172WH | 4 | PC030017 | 6 |
| G3206730 | 1 | PD010003 | 3 |
| G4000936 | 11 | PD010012 | 3 |
| G9102743 | 7 | PD010019 | 4 |
| G9102745 | 4 | PD020002 | 1, 2, 3, 4, 7, 10 |
| G9102747 | 4 | PD020003 | 2, 6, 7, 10, 13 |
| G93011458PVD | 2 | PD020004 | 2 |
| J1002594 | 4 | PD020013 | 13 |
| J20002593 | 2 | PD020014 | 7, 10 |
| PA010012 | 3 | PD020032 | 3 |
| PA010100 | 12 | PD020033 | 1, 2, 4, 7, 12 |
| PA020045 | 3 | PD020044 | 10 |
| PA020047 | 2 | PD020046 | 3 |
| PA050086 | 2 | PD020060 | 6 |
| PA060054 | 12 | PD020076 | 2 |
| PA060060 | 12 | PD020185 | 10 |
| PA060061 | 12 | PD030005 | 3 |
| PA060062 | 12 | PD030006 | 4 |
| PA070003 | 3 | PD040005 | 2 |
| PA080075 | 2 | PE010016 | 4 |
| PA080083 | 12 | PE010017 | 4 |
| PA080086 | 12 | PE010079 | 4 |
| PB010129 | 3 | PE010080 | 4 |
| PB010130 | 3 | PE030001PVD | 4 |
| PB010206 | 3 | PE030005 | 4 |
| PB010207 | 3 | PE030012PVD | 4 |
| PB010209 | 3 | PE050005 | 7 |
| PB010230 | 3 | PE050016 | 3 |
| PB010231 | 3 | PE050017 | 3 |
| PB020192 | 2 | PE050023 | 3 |
| PB020193 | 2 | PE050024 | 3 |
| PB040194 | 2 | PE050026 | 10 |
| PB040217 | 2 | PE050053 | 13 |
| PB050063 | 12 | PE060030 | 4 |
| PB050081 | 12 | PE060031 | 4 |
| PB060030 | 7 | PE060039 | 4 |
| PB060044 | 7 | PE060045 | 4 |
| PB070076 | 4 | PE060064 | 4 |
| PB070145 | 4 | PE070147 | 10 |
| PB070208 | 7 | PE070624 | 11 |



PE070713 5
PE070779 14
PE070780 14
PE070781 14
PE070783 8
PE070786 10
PE070811 9
PJ010001 13
PJ010002 13
PJ010003 7
PJ010004 7
PJ030001 3
PJ030002 10
PJ030005 13
PJ030006 13
PM010014 13
PS500033 3